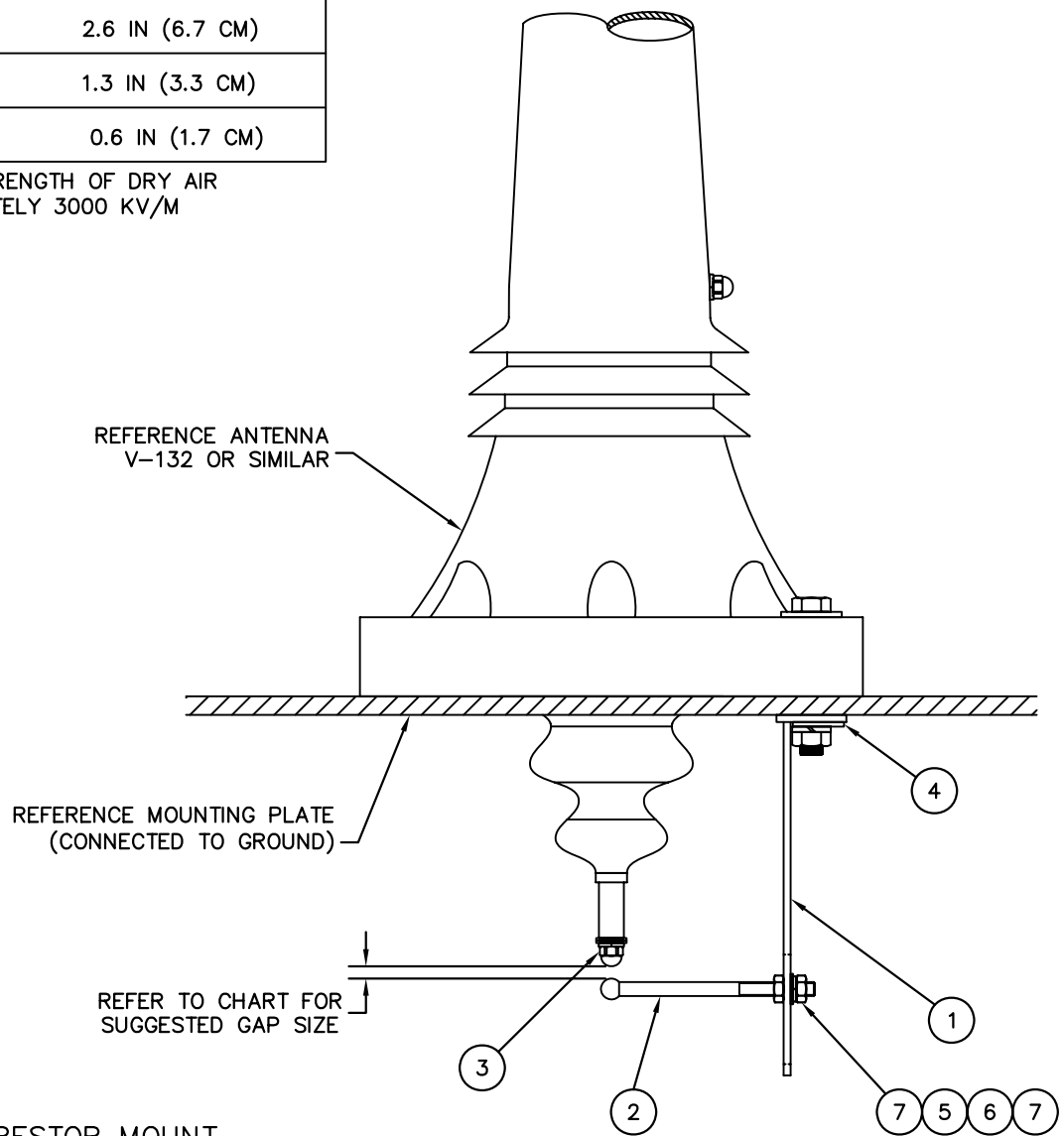


INSTALLATION DETAILS FOR VLA-100-FT LIGHTNING ARRESTER

SUGGESTED GAP SETTINGS	
300 KV	3.9 IN (10.0 CM)
200 KV	2.6 IN (6.7 CM)
100 KV	1.3 IN (3.3 CM)
50 KV	0.6 IN (1.7 CM)

NOTE: DIELECTRIC STRENGTH OF DRY AIR IS APPROXIMATELY 3000 KV/M



PARTS LIST

1. QTY 1, ARRESTOR MOUNT
2. QTY 1, ARRESTOR
3. QTY 1, CUSTOM ACORN SCREW
4. QTY 1, CUSTOM FLATWASHER
5. QTY 1, SPLIT LOCKWASHER, 3/8" NOM, SILVER-PLATED- SILICONE-BRONZE
6. QTY 1, FLATWASHER, 3/8" NOM, SILVER-PLATED- SILICONE-BRONZE
7. QTY 2, HEX NUT, 3/8-24UNF, SILVER-PLATED- SILICONE-BRONZE