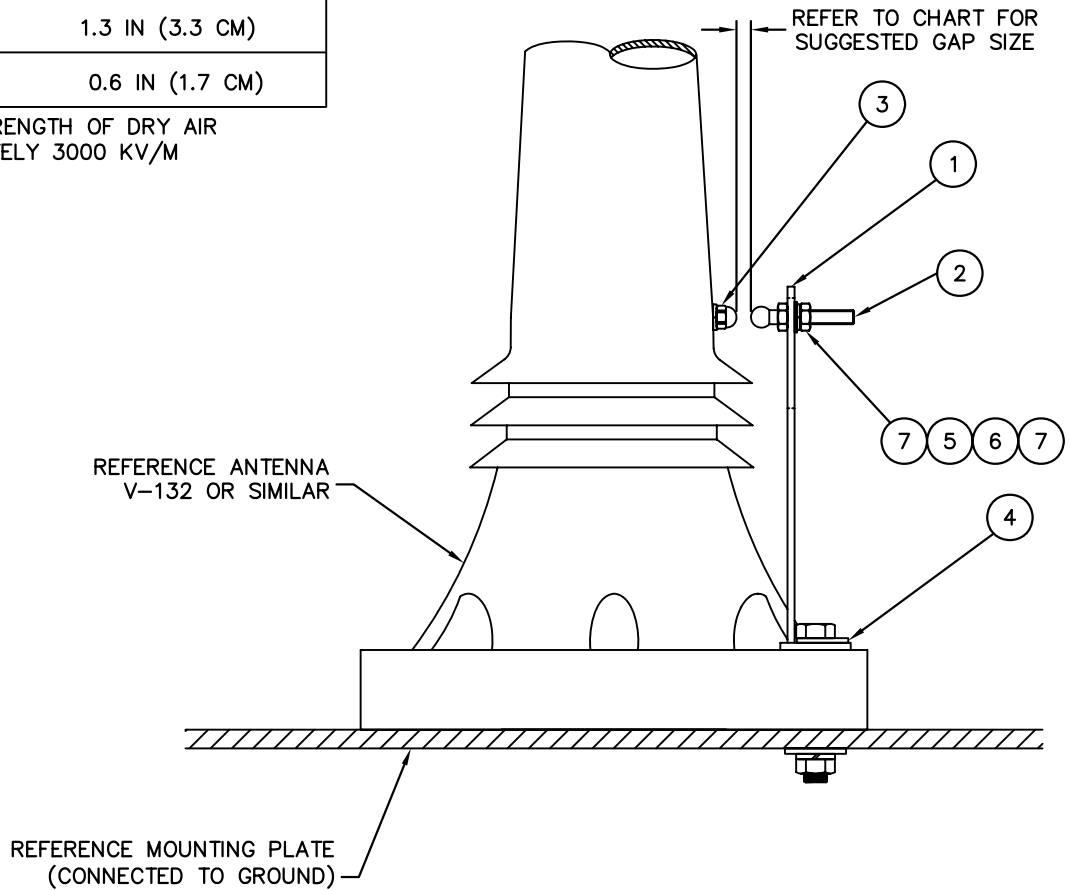


# INSTALLATION DETAILS FOR VLA-100-SF LIGHTNING ARRESTER

| SUGGESTED GAP SETTINGS |                  |
|------------------------|------------------|
| 300 KV                 | 3.9 IN (10.0 CM) |
| 200 KV                 | 2.6 IN (6.7 CM)  |
| 100 KV                 | 1.3 IN (3.3 CM)  |
| 50 KV                  | 0.6 IN (1.7 CM)  |

NOTE: DIELECTRIC STRENGTH OF DRY AIR IS APPROXIMATELY 3000 KV/M



## PARTS LIST

1. QTY 1, ARRESTOR MOUNT
2. QTY 1, ARRESTOR
3. QTY 1, CUSTOM ACORN SCREW
4. QTY 1, CUSTOM FLATWASHER
5. QTY 1, SPLIT LOCKWASHER, 3/8" NOM, SILVER-PLATED- SILICONE-BRONZE
6. QTY 1, FLATWASHER, 3/8" NOM, SILVER-PLATED- SILICONE-BRONZE
7. QTY 2, HEX NUT, 3/8-24UNF, SILVER-PLATED- SILICONE-BRONZE