



SPECIALISTS FOR ULTRA HIGH FREQUENCY

AS-5042/URC UHF Antenna

PN: VD-11-00059-1
NSN: 5985-21-842-2403

THE AS-5042/URC IS A UHF DIPOLE ANTENNA FOR SHIPBOARD INSTALLATIONS. IT CONSISTS OF TWO SMALL STUBBY RADIATORS JOINED BY A SUPPORT ARM THAT HOUSES THE MATCHING COMPONENTS. THE AS-5042/URC EXHIBITS A LOW VSWR OF 2:1 OR LESS ACROSS ITS FREQUENCY BAND OF 220 TO 400 MHZ. THE ANTENNA RADIATES AN OMNI-DIRECTIONAL, VERTICALLY POLARIZED RADIATION PATTERN AND CAN EASILY HANDLE 200 W OF RF INPUT POWER.

THE AS-5042/URC IS A LIGHTWEIGHT AND RUGGED ANTENNA DESIGNED TO WITHSTAND THE HARSH ENVIRONMENTAL CONDITIONS ABOARD SHIPS. THIS ANTENNA IS IDEALLY SUITED FOR MOUNTING OFF YARDARMS OR OTHER MAST-TYPE SUPPORTS. MOUNTING IS ACCOMPLISHED WITH A CLAMP-STYLE BRACKET WITH 3/8" HARDWARE. OTHER MOUNTING OPTIONS MAY BE AVAILABLE UPON REQUEST.

FEATURES:

- TRANSMIT OR RECEIVE
- LIGHTWIEGHT AND RUGGED
- WEATHER-PROOF CONSTRUCTION



AS-5042/URC

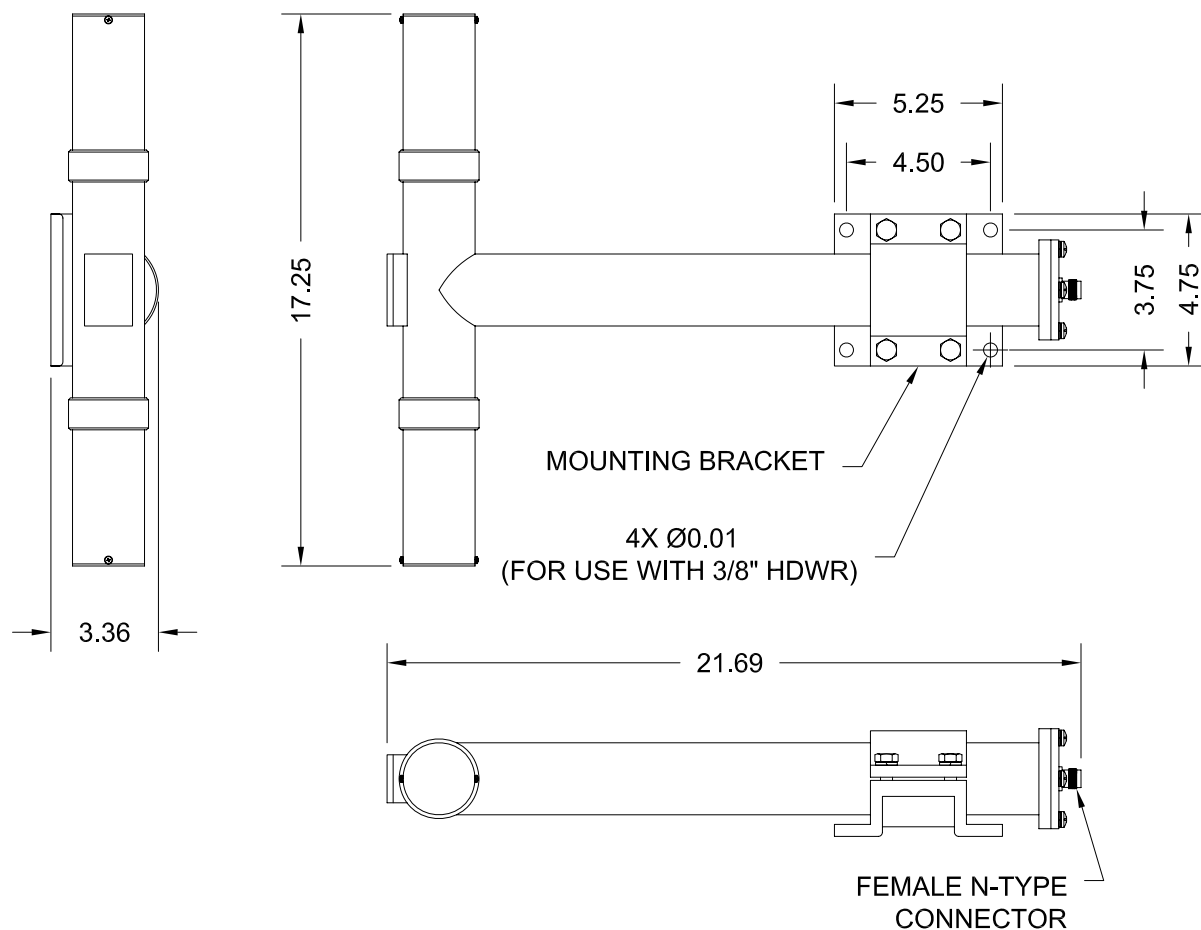
QUICK REFERENCE DATA

ELECTRICAL CHARACTERISTICS

FREQUENCY	220 TO 400 MHZ
RADIATION PATTERN	OMNI-DIRECTIONAL
POLARIZATION	VERTICAL
VSWR	2:1 MAXIMUM
POWER RATING	200 W (AVERAGE)
INPUT IMPEDANCE	50 OHMS (NOMINAL)
INPUT CONNECTOR	N-TYPE

MECHANICAL CHARACTERISTICS

OVERALL DIMENSIONS	21.69 IN LG X 17.25 IN WD (55.1 CM X 43.8 CM)
WEIGHT	4.5 LBS (2.0 KG)
MOUNTING	CLAMP WITH HOLES FOR 3/8" HDWR
TEMPERATURE	-40°F TO 300°F (-40°C TO 150°C)
WIND	175 KNOTS (201 MPH) (324 KM/H)
FINISH	HAZE GREY SILICONE ALKYD ENAMEL
SHOCK	MIL-S-901, GRADE A
VIBRATION	MIL-STD-167, TYPE 1



P.O. BOX 603 GUELPH, ONTARIO, CANADA, N1H 6L3
 TEL 519-824-3220 FAX 519-824-3411

INTERNET: www.valcom-uelph.com EMAIL: enquiries@valcom-uelph.com