

World's Leading Manufacturer Of Fibreglass Whip Antennas



SPECIALISTS FOR ULTRA HIGH FREQUENCIES

---

# VWI-FI-1

## Base Station Antenna

---

THE VWI-FI-1 IS A DIPOLE-STYLE ANTENNA DESIGNED TO PROVIDE RELIABLE WI-FI UPLINKS AND DOWNLINKS FOR BASE STATION APPLICATIONS. THE VWI-FI-1 BOASTS A POWER HANDLING CAPABILITY OF UP TO 50 WATTS AND LESS THAN 1.5:1 VSWR.

THE VWI-FI-1 ANTENNA COMES IN A ONE PIECE CONSTRUCTION. DIPOLE STYLE RADIATORS ARE SEALED INSIDE AN INSULATING ENVELOPE WITH AN INTEGRAL FEMALE N-TYPE CONNECTOR. THE ANTENNA CAN BE CONNECTED DIRECTLY TO WIRELESS DEVICES OR MAST-MOUNTED WITH A CLAMP.

THE ENTIRE ASSEMBLY IS COMPLETELY WEATHERPROOF AND RUGGED. VARIOUS OTHER MOUNTING AND CONNECTOR OPTIONS MAY BE CONFIGURED UPON REQUEST.

#### FEATURES:

- PERFORMS WITH OR WITHOUT A GROUND PLANE
- LIGHTWEIGHT AND EXTREMELY RUGGED DESIGN
- SIMPLE INSTALLATION
- WEATHERPROOF AND RELIABLE DESIGN



# QUICK REFERENCE DATA

## VWI-FI-1

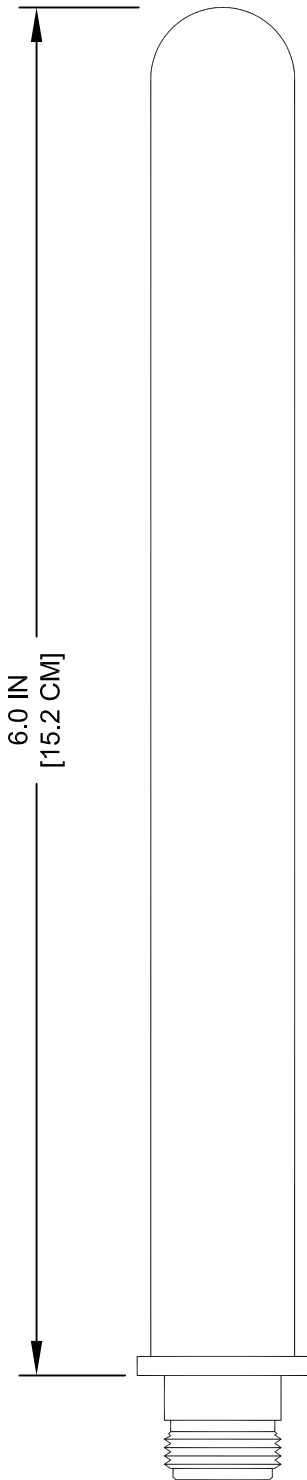
### ELECTRICAL

FREQUENCY RANGE	2250 - 2550 MHz
RADIATION PATTERN	OMNIDIRECTIONAL
GAIN	+2dBi
BEAMWIDTH	80°
VSWR	1.5:1 MAXIMUM
POLARIZATION	VERTICAL
POWER HANDLING	50 W
NOM INPUT IMPEDANCE	50 OHMS
INPUT CONNECTOR*	FEMALE N-TYPE

\* OTHER CONNECTOR OPTIONS AVAILABLE

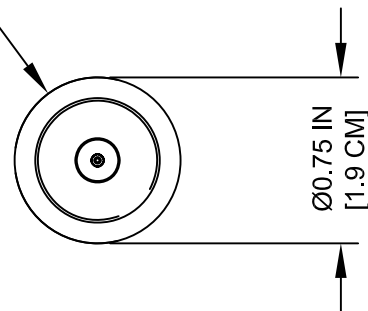
### MECHANICAL

WEIGHT	0.2 LBS (0.4 KG)
OVERALL HEIGHT	6.0 INCHES (15.2 CM)
TEMPERATURE	-60°F TO +160°F (-51°C TO +71°C)
WIND VELOCITY	125 MPH (201 KM/H) OPERATING
MOUNTING DIAMETER	Ø0.75 IN (1.9 CM)



6.0 IN  
[15.2 CM]

INPUT N-TYPE  
CONNECTOR



Ø0.75 IN  
[1.9 CM]

BOTTOM VIEW



P.O. BOX 603 GUELPH, ONTARIO, CANADA, N1H 6L3  
TEL 519-824-3220 FAX 519-824-3411  
INTERNET: [www.valcom-guelph.com](http://www.valcom-guelph.com) EMAIL: [enquiries@valcom-guelph.com](mailto:enquiries@valcom-guelph.com)  
Specifications are subject to change without notice.