

World's Leading Manufacturer Of Fibreglass Whip Antennas



SPECIALISTS FOR VERY HIGH FREQUENCY

---

## **VDS-3108**

# **Vehicular Dipole**

---

PN: VD-07-00220-1

THE VALCOM MODEL VDS-3108 IS A VERTICAL VHF DIPOLE ANTENNA. THE VDS-3108 OPERATES IN THE 30 TO 108 MHz FREQUENCY RANGE. THE ANTENNA IS DESIGNED TO WITHSTAND THE ROUGH CONDITIONS CHARACTERISTIC TO MILITARY VEHICULAR ENVIRONMENTS.

THE VDS-3108 IS CONSTRUCTED IN THREE SECTIONS; A TWO PIECE WHIP AND A BASE MOUNT. THE TWO WHIP SECTIONS THREAD TOGETHER TO FORM THE COMPLETE WHIP ASSEMBLY. EACH SECTION IS CONSTRUCTED OF RESIN IMPREGNATED FIBERGLASS CLOTH TO CREATE A FLEXIBLE YET DURABLE WHIP ANTENNA. THE BASE MOUNT IS EQUIPPED WITH A RUGGED SPRING WHICH IS USED FOR ABSORBING IMPACT ON THE WHIP AND ALLOWING THE WHIP TO BE TIED DOWN HORIZONTALLY.

EMP (ELECTROMAGNETIC PULSE) AND HIGH VOLTAGE ISOLATION ARE ALSO INCORPORATED INTO THE VDS-3108. THE UPPER WHIP SECTION PROVIDES HIGH VOLTAGE ISOLATION TO 20kVRMS PROVIDING SAFETY TO PERSONNEL AND EQUIPMENT IN THE CASE OF ACCIDENTAL STRIKE OF THE ANTENNA TO AN OVERHEAD POWERLINE. AN EYE PROTECTION DEVICE AT THE TIP OF THE ANTENNA PROVIDES FURTHER SAFETY TO THE USER.

#### FEATURES:

- EASY ASSEMBLY/DISASSEMBLY
- PERFORMS WITH OR WITHOUT A GROUND PLANE
- RUGGED AND RELIABLE DESIGN
- HIGH VOLTAGE ISOLATION FOR SAFETY
- MINIMUM MAINTENANCE



# QUICK REFERENCE DATA

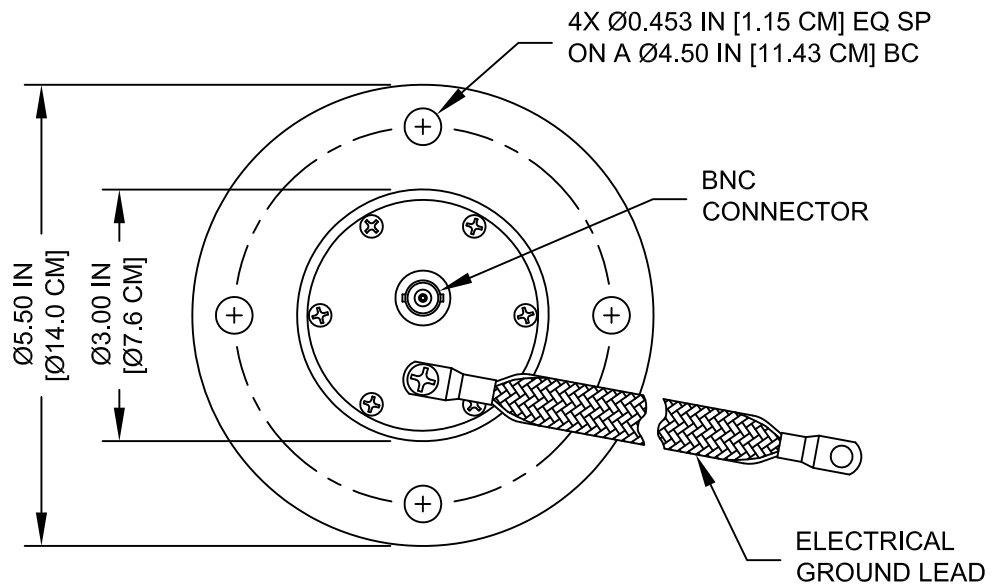
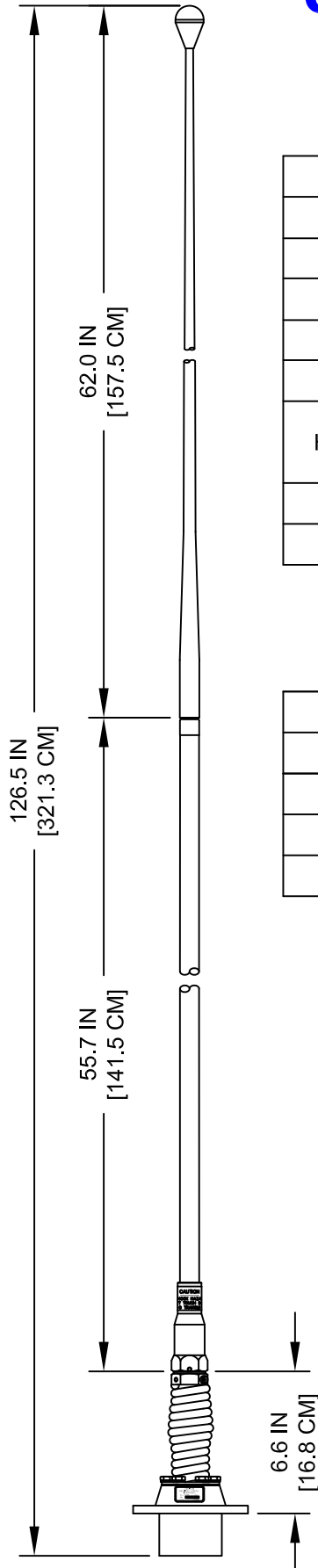
## VDS-3108

### ELECTRICAL

FREQUENCY RANGE	30 - 108 MHz
RADIATION PATTERN	OMNIDIRECTIONAL
GAIN	-5.0 dBi TO +1.0 dBi
VSWR	3.0:1 MAXIMUM
POLARIZATION	VERTICAL
POWER HANDLING	100 WATTS CONTINUOUS
HIGH VOLTAGE PROTECTION	TOP ELEMENT: 20kVrms LOWER ELEMENT: 10 kVrms to MIL-STD-202
NOM INPUT IMPEDANCE	50 OHMS
INPUT CONNECTOR	BNC

### MECHANICAL

WEIGHT	9.0 LBS (4.08 KG)
HEIGHT	126.5 INCHES (321.3 CM)
TEMPERATURE	-60°F TO +160°F (-51°C TO +71°C)
WIND VELOCITY	50 MPH (80 KPH) OPERATING
IMPACT	25 BLOWS AT 25 MPH ON A 4"X4" OAK BEAM



BOTTOM VIEW



P.O. BOX 603 GUELPH, ONTARIO, CANADA, N1H 6L3

TEL 519-824-3220 FAX 519-824-3411

INTERNET: [www.valcom-guelph.com](http://www.valcom-guelph.com) EMAIL: [enquiries@valcom-guelph.com](mailto:enquiries@valcom-guelph.com)

Specifications are subject to change without notice.