

World's Leading Manufacturer of Fiberglass Whip Antennas

TVPC TOW VEHICLE POWER CONDITIONER



SPECIALISTS WHERE SAFETY COUNTS

TYPICAL APPLICATION TOW 1 or TOW 2 Missile Guidance Systems and/or Similar Applications

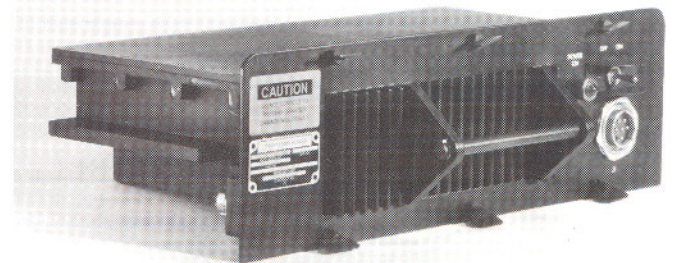
FEATURES

- Tested to MIL-STD-810
- Modular Design
- Output Short Circuit Protection
- Isolated Output Supplies

The TOW Vehicle Power Conditioner (TVPC) is capable of operating from input power provided by a vehicle battery system. It is intended to be used as the primary power supply for the TOW 2 weapon system mounted in either the M113A1 or M115A2 vehicles. The TVPC is the same size and shape as the TOW battery assembly, NATO Stock No. 6140-00-454-8261, and fits into the TOW Missile guidance set in the same manner as the TOW battery assembly.

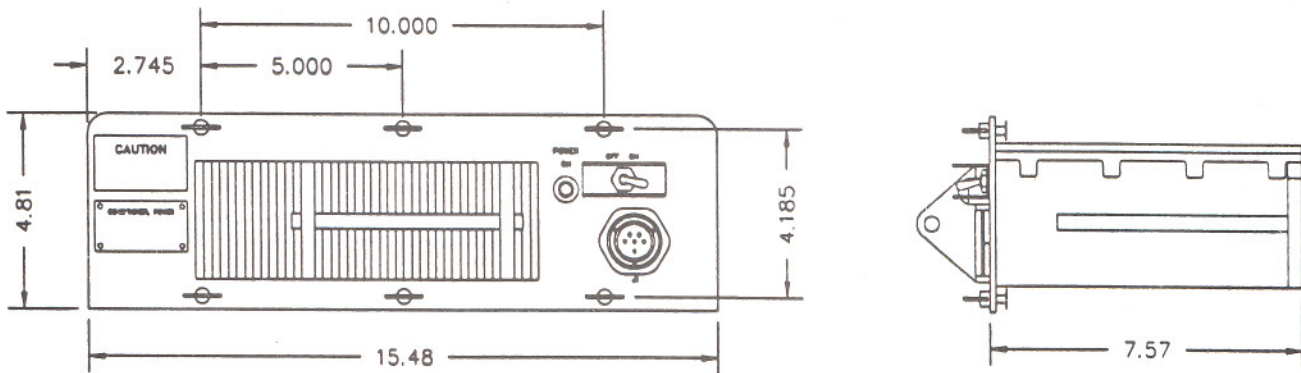
The TVPC converts an input voltage of 10 to 35 volts DC to three isolated output supplies, one at 24 volts DC and two at 50 volts DC. Output 1 is a 24 VDC supply at 5 amps steady state and up to 24 amps for 15 msec. Outputs 2 and 3 are each 50 VDC supplies at 1.5 amps.

The TVPC also contains input reverse polarity protection and an ON-OFF power switch.



**CONVERTER, TOW VEHICLE POWER
CONDITIONER**

QUICK REFERENCE DATA INSTALLATION



ELECTRICAL SPECIFICATIONS

Input Voltage Range	10 to 35 Volts DC
Output 1 Supply	24 VDC @ 6 Amps steady state and 24 Amps for 15 msec.
Output 2 and 3 Supplies	50 VDC @ 1.5 Amps
Operating Temperature Range	-32°C to +60°C (-26°F to +140°F)
Voltage Regulation	2% Max.
Load Regulation	5% Max.
Output Temp. Stability	0.03%/°C
Ripple and Noise	24V output - max. 200mVpp 50V output - max. 150mVpp

MECHANICAL SPECIFICATIONS

Overall Dimensions	12.21 cm x 39.32 cm x 18.47 cm (4.8 in x 15.48 in x 7.27 in)
Overall Weight	8.2 kg (18 lbs)
Input Connector	MS27474T116A6P
Output Connector	MS3424E19-75

Specifications subject to change without notice

