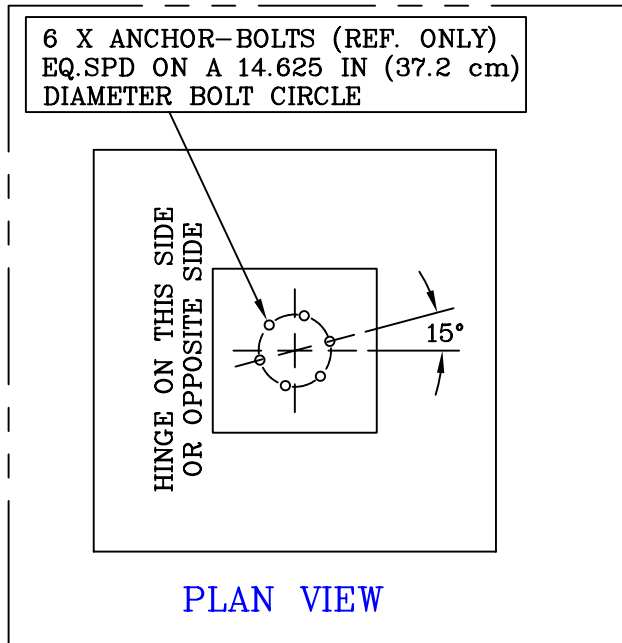
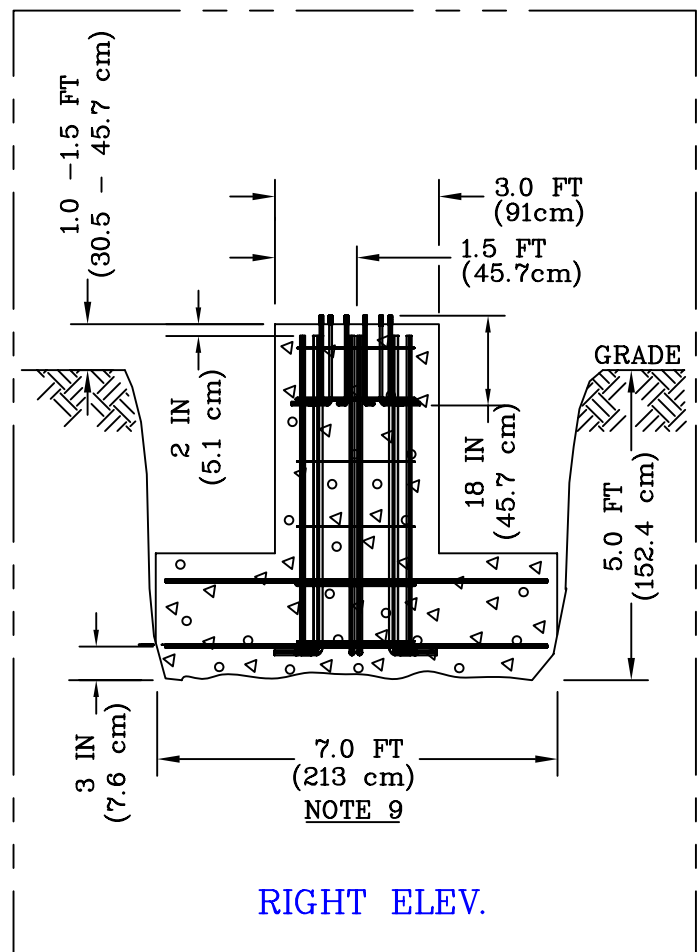
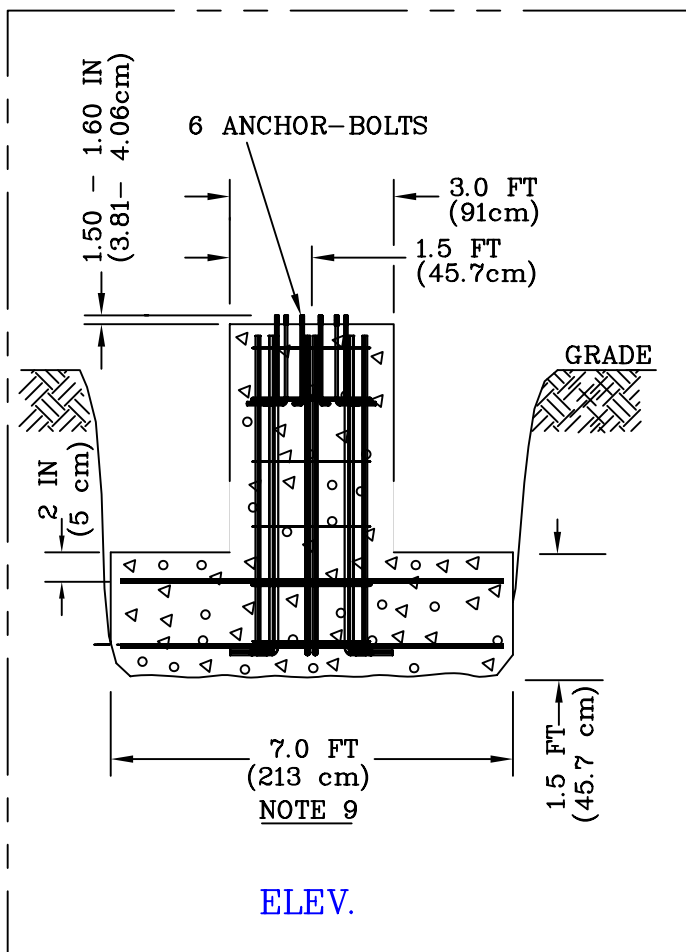


# FOUNDATION DETAILS FOR VHB-17 HINGE PLATE OR VTGS-20BH STEEL TOWER



## NOTES:

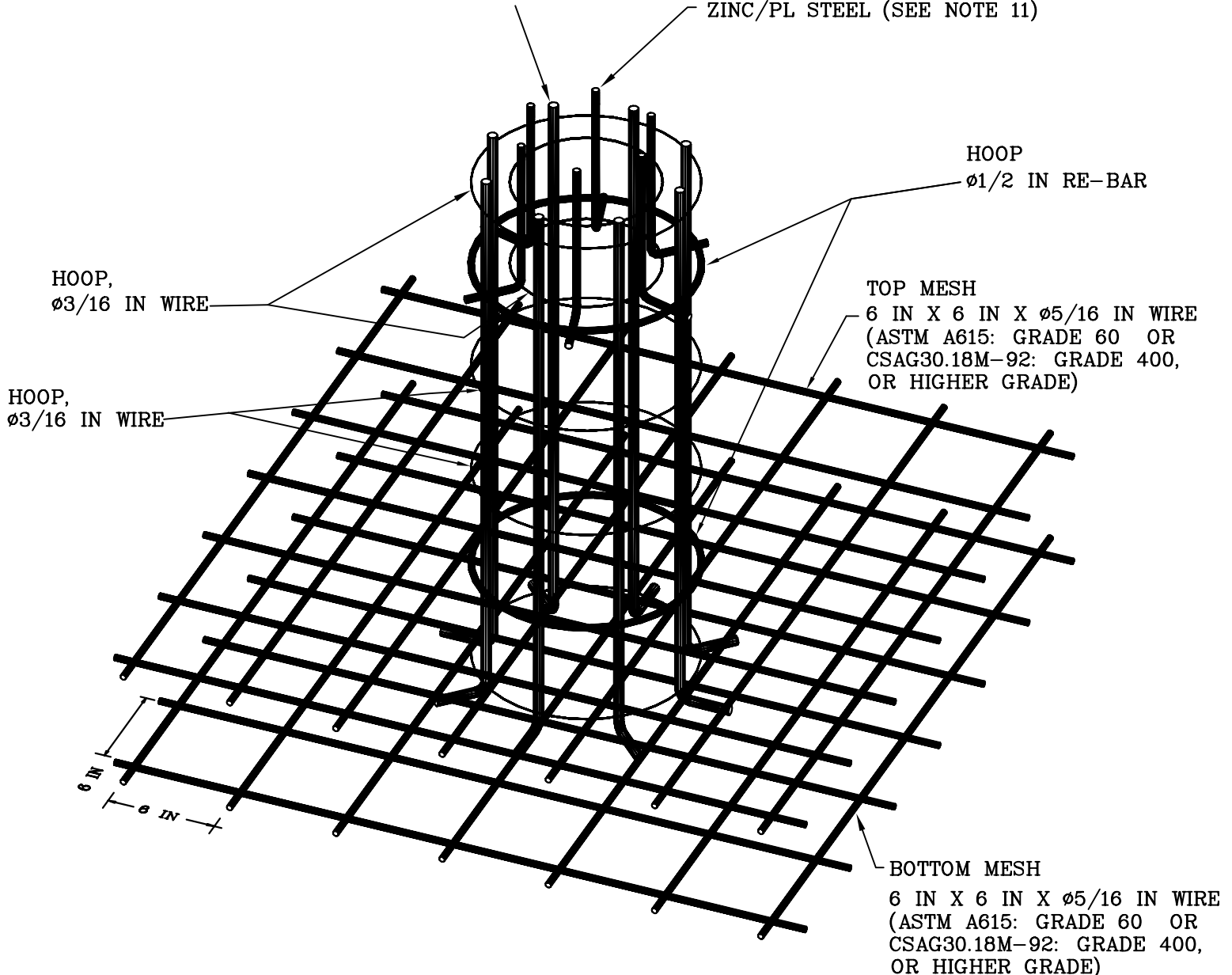
1. FOUNDATION BASE TO BE ON UNDISTURBED SOIL.
2. FOUNDATION EXCAVATION MUST BE FREE OF WATER BEFORE PLACEMENT OF CONCRETE.
3. DURING PLACEMENT OF CONCRETE, MAXIMUM FREE FALL DISTANCE SHALL NOT EXCEED FOUR FEET (120cm)
4. ALL CONCRETE PLACED DURING FREEZING TEMPERATURES SHALL BE PRE-HEATED AND PROPERLY PROTECTED DURING CURING. ALL HANDLING AND PLACEMENT TO BE IN ACCORDANCE WITH GOOD CONSTRUCTION PRACTICE.
5. MINIMUM 28 DAY COMPRESSIVE STRENGTH-3,000 PSI
6. AIR ENTRAINED CONCRETE 6% ± 1
7. SLUMP RANGE OF CONCRETE DURING PLACEMENT, 1.5 TO 4.5 INCHES (3.7 TO 11.2cm).
8. BACKFILL MATERIAL SHALL BE FREE FROM DEBRIS OF ANY KIND INCLUDING ICE, SNOW OR FROZEN MATERIAL.
9. THIS DIMENSION IS THE MINIMUM VALUE USED WITH THE 74 FT ANTENNA, FOR THE 112 FT ANTENNA THE MINIMUM DIMENSION WOULD BE 8 FT.
10. WHERE THE SOIL CONDITIONS WARRANT, THEN SULPHUR RESISTANCE CONCRETE SHOULD BE USED.
11. RECOMMEND THE USE OF PLYWOOD AS A TEMPLATE FOR 6 ANCHOR-BOLTS BEFORE PLACEMENT OF CONCRETE.



# FOUNDATION DETAILS FOR VHB-17 HINGE PLATE OR VTGS-20BH STEEL TOWER

8 X  $\phi$ .75 IN - 6 FT LEG X 1 FT- 90° HOOK RE-BARS  
(7 FT OVER-ALL) (ASTM A615: GRADE 60 OR  
CSAG30.18M-92: GRADE 400, OR HIGHER GRADE)  
EQUALLY SPACED ON A 24 IN DIA. BOLT CIRCLE

6 X  $\phi$ .75 IN ANCHOR BOLTS  
18 IN LEG X 8 IN 90° HOOK (26 IN OVER-ALL)  
(ASTM A307 OR HIGHER GRADE)  
EQUALLY SPACED ON A 14.625 IN DIAMETER  
BOLT CIRCLE, TOP THREAD 3/4-10UNC-2A  
ZINC/PL STEEL (SEE NOTE 11)



## REINFORCING OF CONCRETE



P.O. BOX 603 GUELPH, ONTARIO, CANADA, N1H 6L3  
TEL 519-824-3220 FAX 519-824-3411

INTERNET: [www.valcom-guelph.com](http://www.valcom-guelph.com) EMAIL: [enquiries@valcom-guelph.com](mailto:enquiries@valcom-guelph.com)