

World's Leading Manufacturer Of Fibreglass Whip Antennas



SPECIALISTS FOR VERY HIGH AND ULTRA HIGH FREQUENCY

---

## **VMB-3512-N Multi-Band Antenna**

---

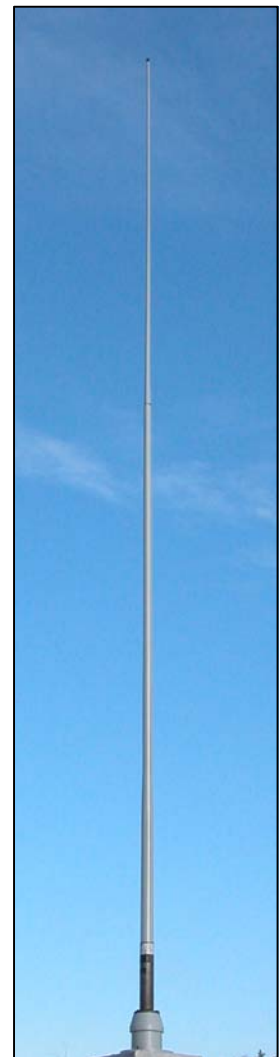
THE VMB-3512-N IS A GENERAL PURPOSE VHF/UHF BROADBAND COMMUNICATIONS ANTENNA SYSTEM. IDEAL FOR SHIPBOARD APPLICATIONS, THIS ANTENNA SYSTEM IS A BASE MOUNTED VERSION OF THE VMB-3512/VRC FEATURING RUGGED CONSTRUCTION AND RIGID MOUNTING OF THE WHIP SECTION.

THE VMB-3512-N OPERATES IN THE 30 TO 512 MHz FREQUENCY RANGE WITH A POWER RATING OF 100 WATTS. THE SYSTEM IS CONSTRUCTED IN THREE SECTIONS; A TWO PIECE WHIP AND A BASE MOUNT. THE TWO WHIP SECTIONS THREAD TOGETHER TO FORM THE COMPLETE WHIP ASSEMBLY. EACH SECTION IS CONSTRUCTED OF RESIN IMPREGNATED FIBERGLASS CLOTH TO CREATE A FLEXIBLE YET DURABLE WHIP ANTENNA.

THE ANTENNA SYSTEM HAS BEEN DESIGNED TO MEET THE VIBRATION, SHOCK AND SERVICE REQUIREMENTS OF MIL-STD-167, MIL-S-901 AND MIL-STD-810. EMP (ELECTROMAGNETIC PULSE) AND HIGH VOLTAGE ISOLATION ARE ALSO INCORPORATED INTO THE VMB-3512-N. THE UPPER WHIP SECTION PROVIDES HIGH VOLTAGE ISOLATION TO 20kVRMS PROVIDING SAFETY TO PERSONNEL AND EQUIPMENT IN THE CASE OF ACCIDENTAL STRIKE OF A HIGH VOLTAGE SOURCE.

**FEATURES:**

- EASY ASSEMBLY/DISASSEMBLY
- PERFORMS WITH OR WITHOUT A GROUND PLANE
- RUGGED AND RELIABLE DESIGN
- HIGH VOLTAGE ISOLATION FOR SAFETY
- MINIMUM MAINTENANCE



# QUICK REFERENCE DATA

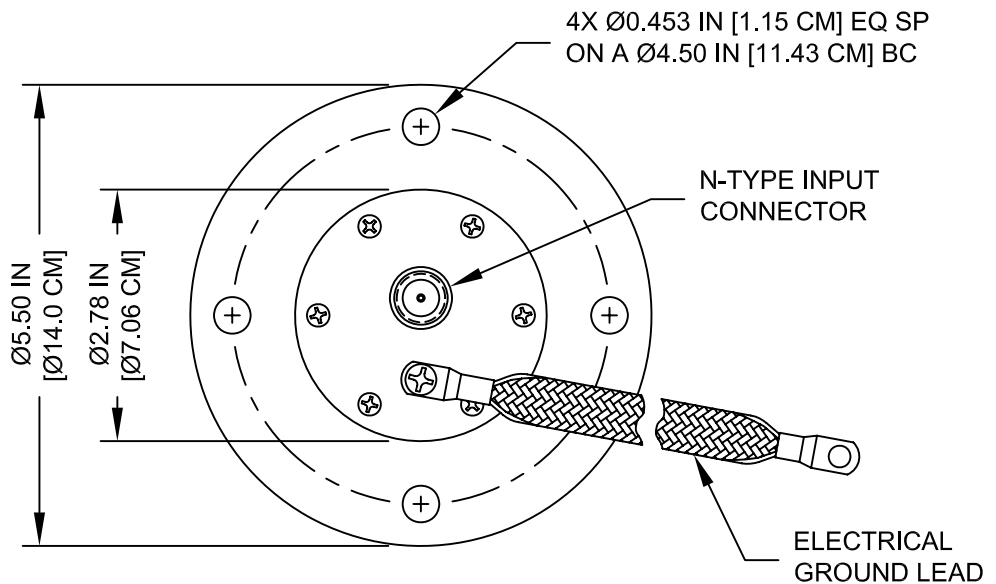
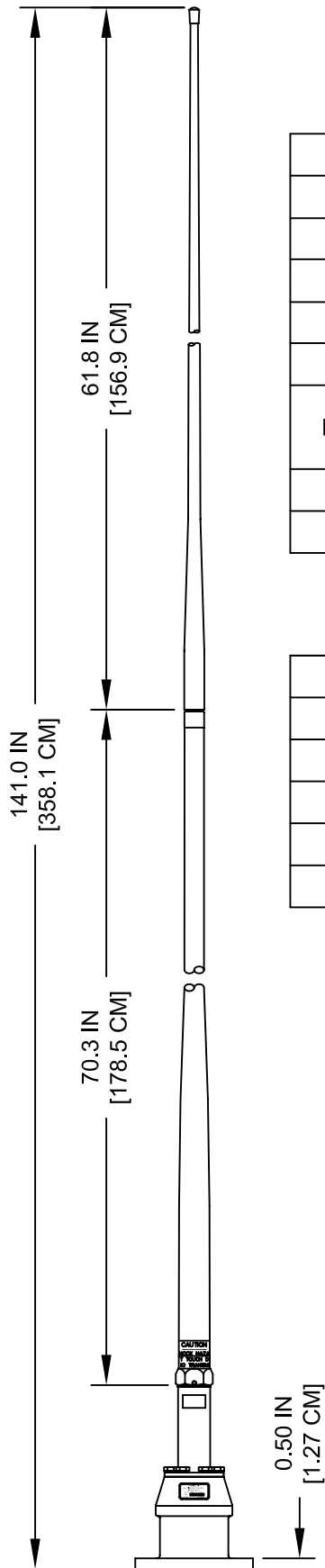
## VMB-3512-N

### ELECTRICAL

FREQUENCY RANGE	30 - 512 MHz
RADIATION PATTERN	OMNIDIRECTIONAL
GAIN	-5.0 dBi TO +3.0 dBi
VSWR	3.5:1 MAXIMUM
POLARIZATION	VERTICAL
POWER HANDLING	100 WATTS CONTINUOUS
HIGH VOLTAGE PROTECTION	TOP ELEMENT: 20kVrms LOWER ELEMENT: 10 kVrms to MIL-STD-202
NOM INPUT IMPEDANCE	50 OHMS
INPUT CONNECTOR	TYPE-N (STD), (BNC ADAPTER OPTIONAL)

### MECHANICAL

WEIGHT	11.0 LBS (4.99 KG)
HEIGHT	141.0 INCHES (358.14 CM)
TEMPERATURE	-60°F TO +160°F (-51°C TO +71°C)
HUMIDITY	RELATIVE HUMIDITY 95%
WIND VELOCITY	140 MPH (225 KPH)
ICE LOADING	1/2 INCH (13 MM) RADIAL



BOTTOM VIEW



P.O. BOX 603 GUELPH, ONTARIO, CANADA, N1H 6L3  
 TEL 519-824-3220 FAX 519-824-3411

INTERNET: [www.valcom-guelph.com](http://www.valcom-guelph.com) EMAIL: [enquiries@valcom-guelph.com](mailto:enquiries@valcom-guelph.com)

Specifications are subject to change without notice.