

World's Leading Manufacturer Of Fibreglass Whip Antennas



SPECIALISTS FOR VERY HIGH AND ULTRA HIGH FREQUENCIES

VMB-11512-FB

Multi-Band Antenna

PN: VC-11-00050-1

THE VMB-11512-FB IS A FIXED BASE MULTI-BAND DIPOLE ANTENNA DESIGNED TO BE USED IN A STATIONARY APPLICATION. IT IS IDEALLY SUITED FOR MOUNTING ON TOP OF BUILDINGS AND EXTENSION MASTS. IT IS DESIGNED FOR USE WITH TODAY'S CUTTING EDGE, FREQUENCY-AGILE RADIOS. THE VMB-11512-FB BOASTS A POWER HANDLING CAPABILITY OF 100 WATTS AND LESS THAN 3.0:1 VSWR ACROSS THE ENTIRE OPERATING BAND OF 115 TO 512 MHz.

THE VMB-11512-FB ANTENNA IS CONSTRUCTED USING THE SAME REVOLUTIONARY BROAD BAND TUNING TECHNOLOGY AS THE VMB-11512 VEHICULAR CONFIGURATION. THE ANTENNA IS A ONE PIECE PACKAGE THAT COMBINES A FIBERGLASS WHIP ONTO AN ALUMINUM MOUNTING BASE. THE WHIP AND BASE ARE PERMANENTLY JOINED TO FORM A LIGHT-WEIGHT YET EXTREMELY RUGGED AND RELIABLE ANTENNA SYSTEM.

FEATURES:

- PERFORMS WITH OR WITHOUT A GROUND PLANE
- LIGHT-WEIGHT
- RELIABLE DESIGN
- EXTREMELY RUGGED
- MINIMUM MAINTENANCE

* PATENT PENDING



QUICK REFERENCE DATA

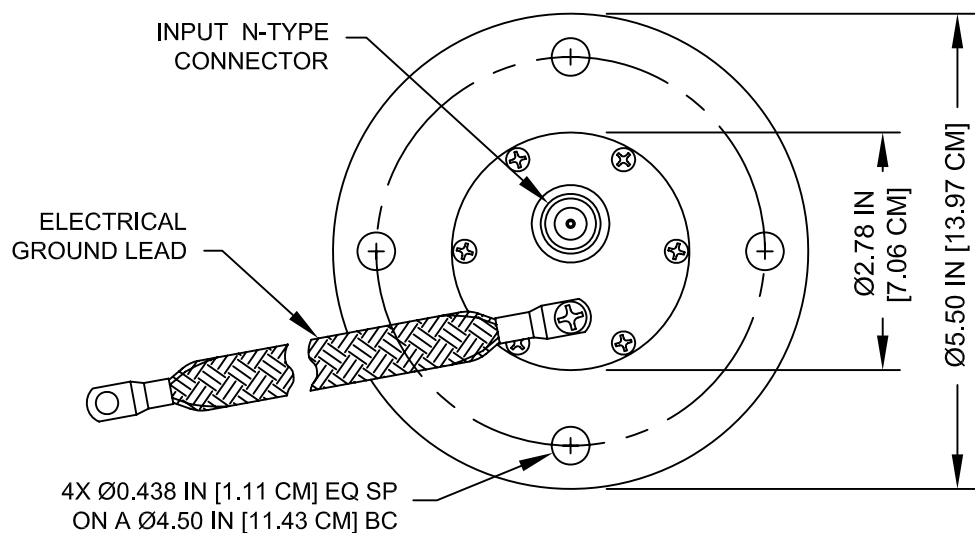
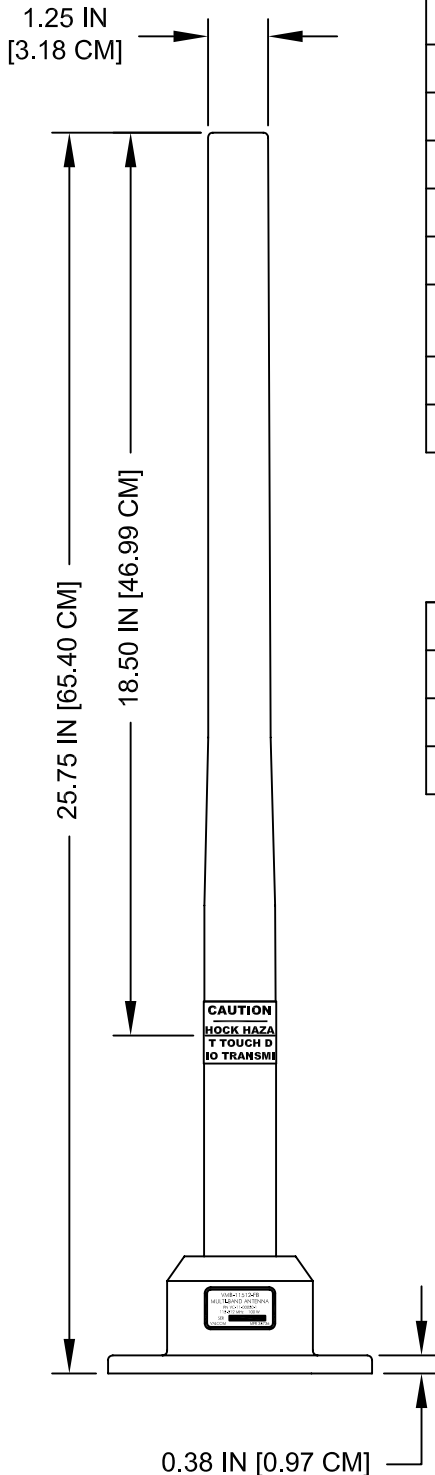
VMB-11512-FB

ELECTRICAL

FREQUENCY RANGE	115 - 512 MHz
RADIATION PATTERN	OMNIDIRECTIONAL
GAIN	-3dBi TO +3dBi
VSWR	3.0:1 MAXIMUM
POLARIZATION	VERTICAL
POWER HANDLING	100 WATTS CONTINUOUS
HIGH VOLTAGE PROTECTION	ELEMENT: 10 kVrms to MIL-STD-202
NOM INPUT IMPEDANCE	50 OHMS
INPUT CONNECTOR	N-TYPE (STD), BNC (OPTIONAL)

MECHANICAL

WEIGHT	3.64 LBS (1.65 KG)
OVERALL HEIGHT	25.75 INCHES (65.40 CM)
TEMPERATURE	-60°F TO +160°F (-51°C TO +71°C)
WIND VELOCITY	140 MPH (225 KPH)



BOTTOM VIEW



P.O. BOX 603 GUELPH, ONTARIO, CANADA, N1H 6L3

TEL 519-824-3220 FAX 519-824-3411

INTERNET: www.valcom-guelph.com EMAIL: enquiries@valcom-guelph.com

Specifications are subject to change without notice.