

World's Leading Manufacturer Of Fibreglass Whip Antennas



SPECIALISTS FOR VERY HIGH AND ULTRA HIGH FREQUENCIES

VMB-11512

Multi-Band Antenna

NSN 5985-20-003-1086

THE VMB-11512 IS A MULTI-BAND VEHICULAR WHIP ANTENNA DESIGNED TO PROVIDE VHF AND UHF COMMUNICATIONS FOR A RANGE OF MILITARY APPLICATIONS. IT IS DESIGNED FOR USE WITH TODAY'S CUTTING EDGE, WIDE-BAND, FREQUENCY AGILE RADIOS AND CAN BE USED TO REPLACE A MULTIPLE ANTENNA SETUP. THE VMB-11512 BOASTS A POWER HANDLING CAPABILITY OF 100 WATTS AND LESS THAN 3.0:1 VSWR ACROSS THE ENTIRE OPERATING BAND OF 115 MHz TO 512 MHz.

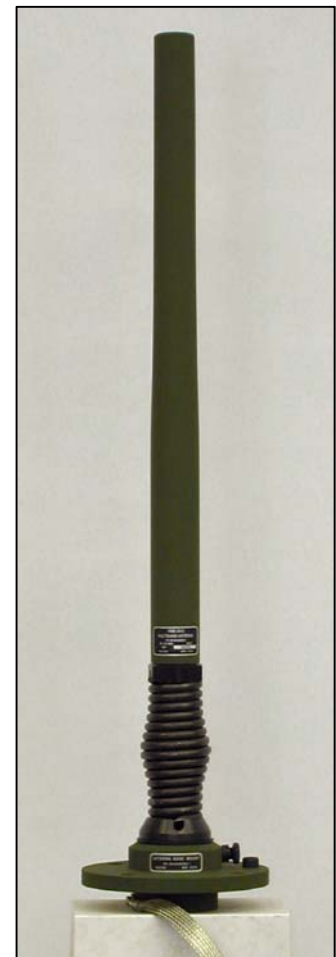
THE VMB-11512 ANTENNA COMES IN TWO PIECES; A DIPOLE STYLE ANTENNA, USING REVOLUTIONARY BROAD BAND TUNING TECHNOLOGY, HOUSED WITHIN A FIBREGLASS ENVELOPE, AND AN ALUMINUM MOUNTING FLANGE WHICH ATTACHES TO THE VEHICLE USING A STANDARD VEHICLE 4-HOLE PATTERN.

THE VMB-11512 USES VALCOM'S NEW INTEGRATED SPRING/WHIP BASE CONFIGURATION. THIS OFFERS A COMPACT ANTENNA DESIGN THAT IS EXTREMELY RUGGED AND RELIABLE.

FEATURES:

- VERY WIDE BANDWIDTH
- PERFORMS WITH OR WITHOUT A GROUND PLANE
- EXTREMELY RUGGED AND RELIABLE DESIGN
- BASE MOUNT FOR REPLACEMENT FLEXIBILITY
- EASY ASSEMBLY/DISASSEMBLY

* PATENT PENDING

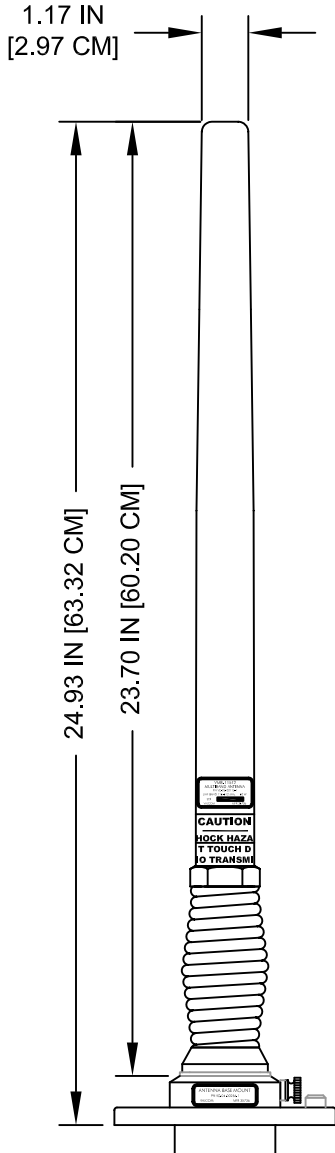


QUICK REFERENCE DATA

VMB-11512

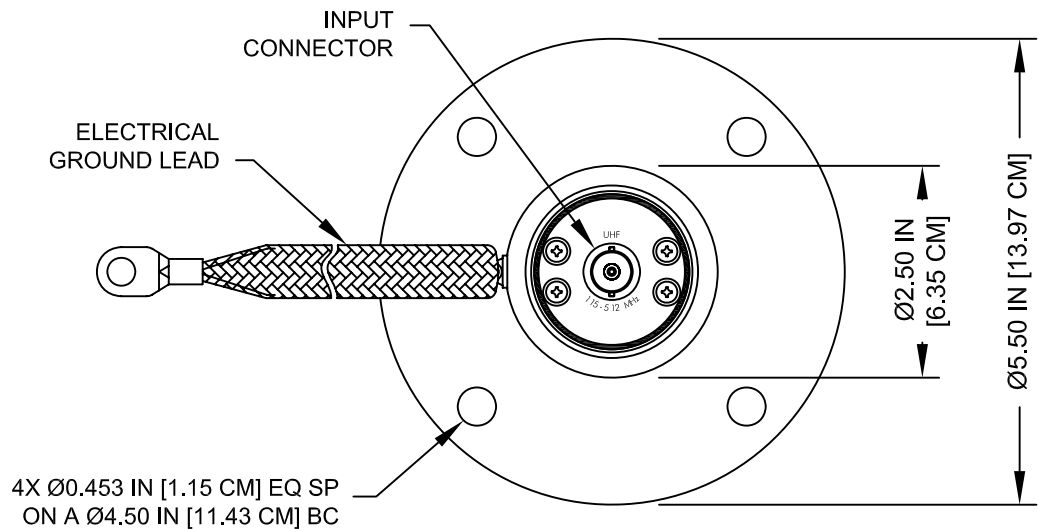
ELECTRICAL

FREQUENCY RANGE	115 - 512 MHz
RADIATION PATTERN	OMNIDIRECTIONAL
GAIN	-3.0 dBi TO +3.0 dBi
VSWR	3.0:1 MAXIMUM
POLARIZATION	VERTICAL
POWER HANDLING	100 WATTS CONTINUOUS
HIGH VOLTAGE PROTECTION	ELEMENT: 10 kVrms to MIL-STD-202
NOM INPUT IMPEDANCE	50 OHMS
INPUT CONNECTOR	BNC (STD), TYPE-N (OPTIONAL)



MECHANICAL

WEIGHT	5.75 LBS (2.61 kg)
OVERALL HEIGHT	25.66 INCHES (65.18 CM)
TEMPERATURE	-60°F TO +160°F (-51°C TO +71°C)
WIND VELOCITY	50 MPH (80 KPH) OPERATING



BOTTOM VIEW



P.O. BOX 603 GUELPH, ONTARIO, CANADA, N1H 6L3
 TEL 519-824-3220 FAX 519-824-3411
 INTERNET: www.valcom-guelph.com EMAIL: enquiries@valcom-guelph.com
 Specifications are subject to change without notice.