

World's Leading Manufacturer Of Fibreglass Whip Antennas



SPECIALISTS FOR ULTRA HIGH FREQUENCY

VDA-3231A Discone Antenna

NSN 5985-20-000-4977

THE VDA-3231A IS A COMPACT BROADBAND VHF/UHF DISCONE ANTENNA. ITS BROAD BANDWIDTH CAPABILITY MAKES IT PERFECTLY SUITED FOR SIGNAL RECEIVING AND MONITORING APPLICATIONS AS WELL AS FOR USE IN DIRECTION FINDING (DF) ARRAYS. THIS ANTENNA IS ALSO IDEAL FOR OMNIDIRECTIONAL TRANSMITTING APPLICATIONS REQUIRING HIGH POWER HANDLING.

THE VDA-3231A IS QUICKLY AND EASILY ASSEMBLED AND DISASSEMBLED. ALL ELEMENTS ARE SECURED WITH INTEGRAL QUARTER-TURN FASTENERS. THE LOWER ELEMENTS ARE RETAINED BY INDIVIDUAL CHAINS TO PREVENT LOSS.

THE ANTENNA CAN BE MOUNTED IN ONE OF THREE MAIN WAYS. ONE, THE ANTENNA CAN BE MOUNTED TO THE SIDE WALL OF A BUILDING. OR BY USING THE ADDITIONAL ADAPTER, THE ANTENNA CAN BE MOUNTED IN EITHER A STANDARD 4-BOLT VEHICULAR MOUNT OR ATOP A VIXAM-40 MAST.



FEATURES:

- BROADBAND
- HIGH POWER
- COMPACT AND LIGHT-WEIGHT
- EASY ASSEMBLY/DISASSEMBLY
- MULTIPLE MOUNTING OPTIONS

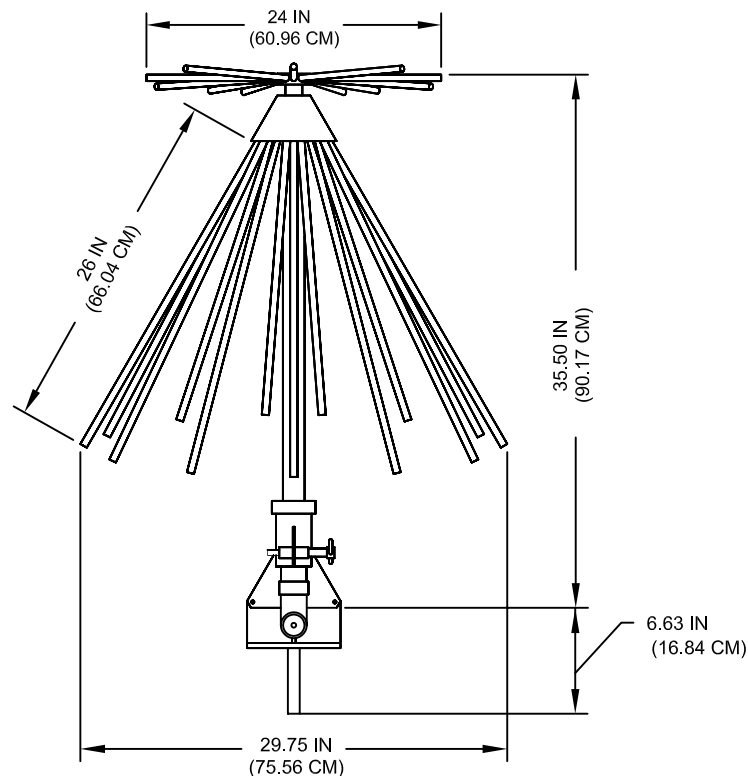
QUICK REFERENCE DATA VDA-3231A

ELECTRICAL

FREQUENCY	115 MHz TO 400 MHz
POLARIZATION	VERTICAL
RADIATION PATTERN	CIRCULAR WITHIN 0.5 db
ELEVATION 3 db BEAMWIDTH	40° NOMINAL
IMPEDANCE	50 OHMS
VSWR	LESS THAN 2.5:1
INPUT CONNECTOR	HN TYPE JACK (HN-TO-N TYPE ADAPTER INCL)
POWER HANDLING	1 KW (AVERAGE)

MECHANICAL

WEIGHT	12 LBS (5.45 KG)
MATERIAL	ALUMINUM
TEMPERATURE OPERATING	-55°C TO +65°C (-67°F TO +149°F)
STORAGE	-65°C TO +80°C (-85°F TO +176°F)
FINISH	BAKED ENAMEL (COLOUR TO CUSTOMER'S REQUEST)



P.O. BOX 603 GUELPH, ONTARIO, CANADA, N1H 6L3

TEL 519-824-3220 FAX 519-824-3411

INTERNET: www.valcom-guelph.com EMAIL: enquiries@valcom-guelph.com

Specifications are subject to change without notice.