

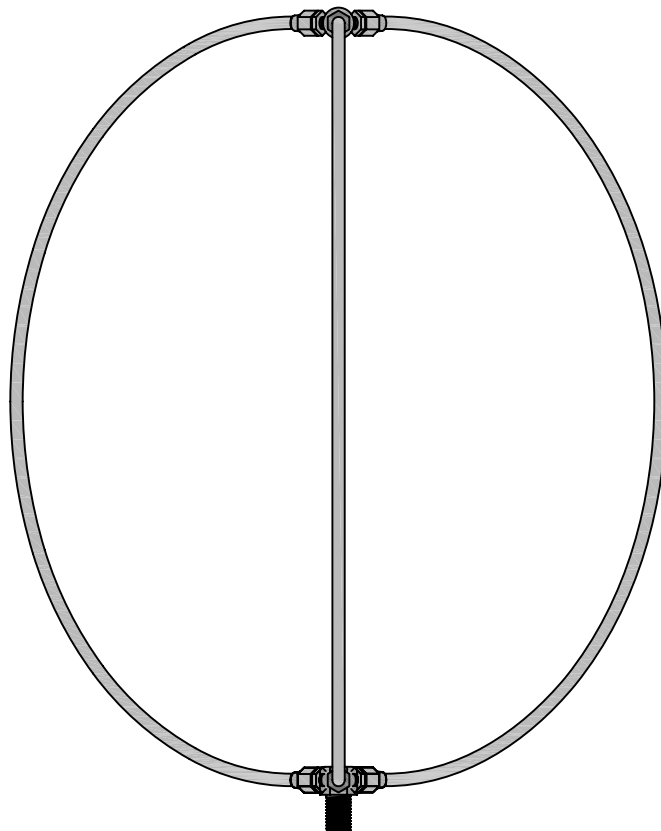
World's Leading Manufacturer Of Fibreglass Whip Antennas



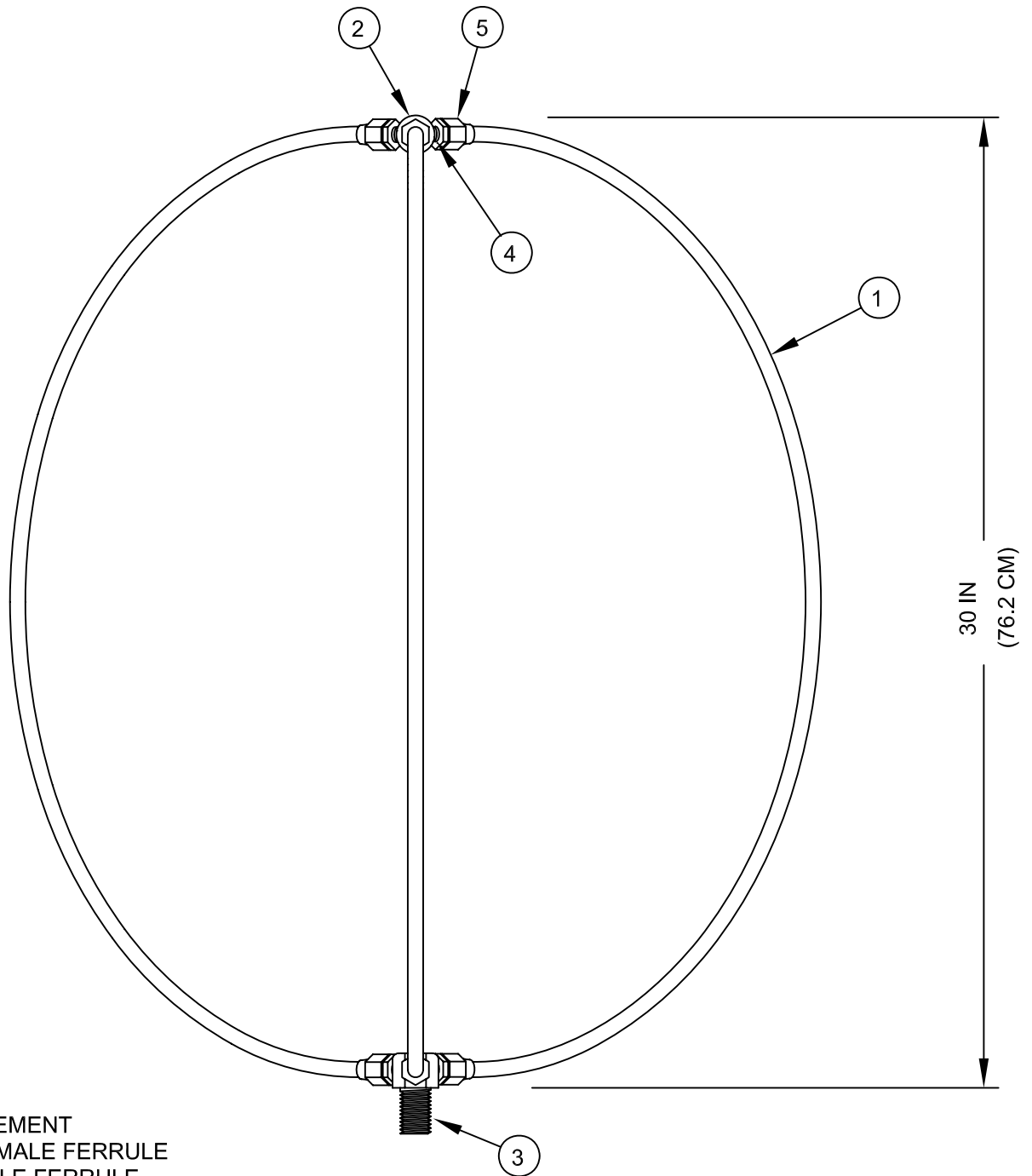
SPECIALISTS FOR HIGH FREQUENCY

VS30 Valcosphere

THE VS30 VALCOSPHERE PROVIDES CAPACITIVE "TOP HAT" LOADING FOR ANY OF VALCOM'S V147 AND V330 SERIES COIL LOADED ANTENNAS. THIS PROVIDES INCREASED BANDWIDTH AT THE OPERATING FREQUENCY. THE SPECIAL SHAPE ALSO AFFECTS CORONA DISCHARGE PROTECTION BY PREVENTING HIGH VOLTAGE FIELD CONCENTRATIONS AT THE ANTENNA TIP. THE COPPER PLATED STEEL ELEMENTS ARE RAPIDLY ASSEMBLED VIA INTEGRAL BRASS COMPRESSION FITTINGS. THE RESULTING RUGGED STRUCTURE IS SCREWED INTO THE TIP OF THE ANTENNA AND SECURED WITH A LOCKING SCREW.



VS30 VALCOSPHERE QUICK REFERENCE DATA



PARTS LIST

1. QTY 3 ELEMENT
2. QTY 1 FEMALE FERRULE
3. QTY 1 MALE FERRULE
4. QTY 6 ADAPTER
5. QTY 6 NUT

ASSEMBLY INSTRUCTIONS

1. INSERT ITEM 1 INTO FEMALE END OF ITEM 4. SCREW ITEM 5 ONTO THREADS OF ITEM 4.
2. REPEAT PROCEDURE WITH OPPOSITE END OF ITEM 1.
3. REPEAT STEPS 1 AND 2 FOR EACH END OF ITEM 1.



P.O. BOX 603 GUELPH, ONTARIO, CANADA, N1H 6L3
TEL 519-824-3220 FAX 519-824-3411
www.valcom-guelph.com EMAIL: enquiries@valcom-guelph.com