

World's Leading Manufacturer Of Fibreglass Whip Antennas



SPECIALISTS FOR ULTRA HIGH FREQUENCIES

VSAT-2432

SATCOM-ON-THE-MOVE

THE VSAT-2432 IS AN OMNI-DIRECTIONAL, LOW-HORIZON-SATELLITE ANTENNA COVERING THE FREQUENCY BAND OF 240-320MHz. THE VSAT-2432 IS IDEALLY SUITED FOR FAST, ON-THE-MOVE SATCOM APPLICATIONS IN A VEHICULAR ENVIRONMENT.

THE VSAT-2432 ANTENNA PROVIDES RIGHT-HAND CIRCULAR POLARIZATION AND BOASTS A POWER HANDLING CAPABILITY OF 100 WATTS AND LESS THAN 1.5:1 VSWR ACROSS THE ENTIRE OPERATING BAND.

THE VSAT-2432 ANTENNA COMES IN A ONE PIECE CONSTRUCTION WITH A MOUNTING ADAPTOR FLANGE COMPATIBLE WITH THE STANDARD NATO 4-HOLE PATTERN. ADDITIONAL MOUNTING OPTIONS INCLUDE A MAGNETIC MOUNT ADAPTOR AND A TELESCOPIC MOUNT ADAPTOR. ALL THREE MOUNTS QUICKLY CONNECT TO THE ANTENNA WITH A THREADED BRASS COLLAR.

THE VSAT-2432 IS AVAILABLE WITH AN OPTIONAL FIBREGLASS RADOME HOUSING THE RADIATING ELEMENTS, MATCHING NETWORKS AND PHASING COMPONENTS.

THE ANTENNA COMES FINISHED IN CARC IN EITHER, GREEN, TAN OR BLACK.

FEATURES:

- EXCELLENT LOW ANGLE PERFORMANCE
- PERFORMS WITH OR WITHOUT A GROUND PLANE
- RUGGED AND RELIABLE DESIGN



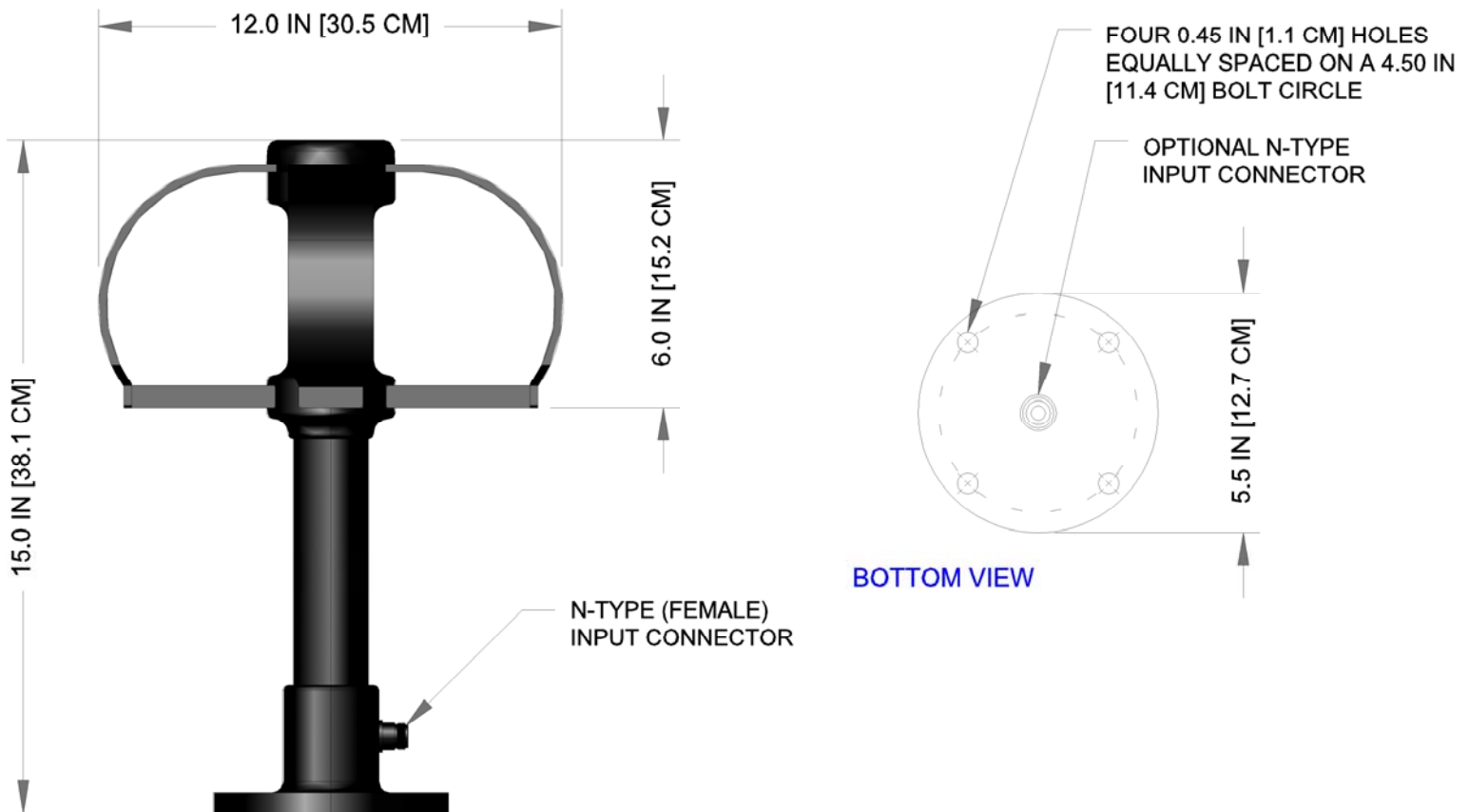
QUICK REFERENCE DATA VSAT-2432

ELECTRICAL

FREQUENCY RANGE	240 - 320 MHz
RADIATION PATTERN	OMNIDIRECTIONAL
GAIN	+3.0 dBic (NOM)
VSWR	1.5:1 MAXIMUM
POLARIZATION	RH CIRCULAR
POWER HANDLING	100 WATTS CONTINUOUS
NOM INPUT IMPEDANCE	50 OHMS
INPUT CONNECTOR	N-TYPE

MECHANICAL

WEIGHT	5.0 LBS (2.3 KG)
HEIGHT	15.0 IN [38.1 CM]
TEMPERATURE	-60°F TO +160°F (-51°C TO +71°C)
WIND VELOCITY	93 MPH (150 KPH) OPERATING



P.O. BOX 603 GUELPH, ONTARIO, CANADA, N1H 6L3

TEL 519-824-3220 FAX 519-824-3411

INTERNET: www.valcom-guelph.com EMAIL: enquiries@valcom-guelph.com

Specifications are subject to change without notice.

