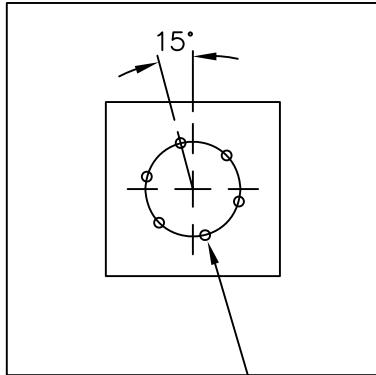


FOUNDATION DETAILS FOR VHB-12 HINGE PLATE OR VTGS-14BH STEEL TOWER

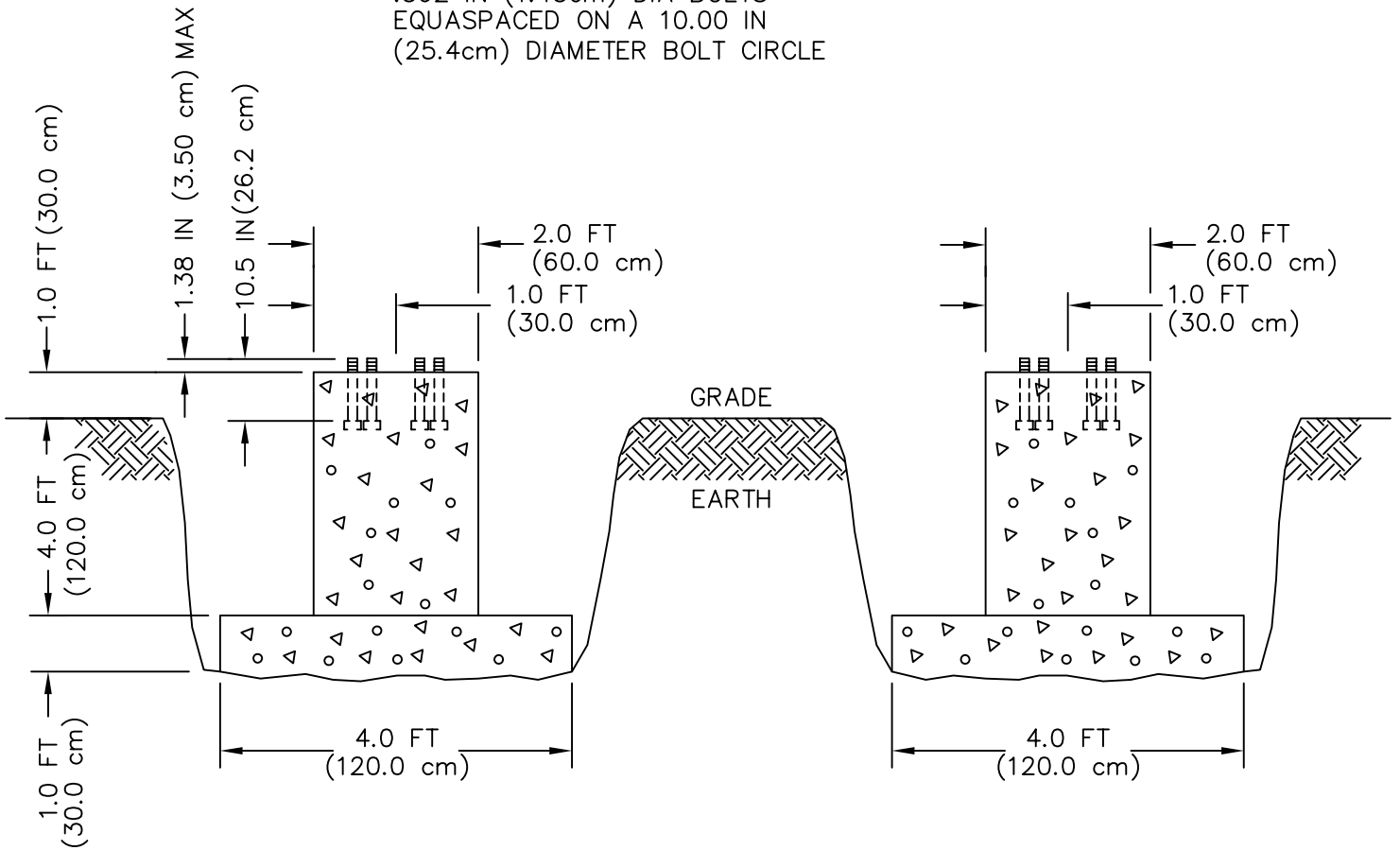
NOTES:

1. FOUNDATION BASE TO BE ON UNDISTURBED SOIL.
2. FOUNDATION EXCAVATION MUST BE FREE OF WATER BEFORE PLACEMENT OF CONCRETE.
3. DURING PLACEMENT OF CONCRETE, MAXIMUM FREE FALL DISTANCE SHALL NOT EXCEED FOUR FEET (120cm)
4. ALL CONCRETE PLACED DURING FREEZING TEMPERATURES SHALL BE PRE-HEATED AND PROPERLY PROTECTED DURING CURING. ALL HANDLING AND PLACEMENT TO BE IN ACCORDANCE WITH GOOD CONSTRUCTION PRACTICE.
5. MINIMUM 28 DAY COMPRESSIVE STRENGTH-3,000 PSI
6. AIR ENTRAINED CONCRETE-6% ± 1
7. SLUMP RANGE OF CONCRETE DURING PLACEMENT-1.5 TO 4.5 INCHES (3.7 TO 11.2cm)
8. BACKFILL MATERIAL SHALL BE FREE FROM DEBRIS OF ANY KIND INCLUDING ICE, SNOW OR FROZEN MATERIAL.

TOP VIEW



.562 IN (1.43cm) DIA BOLTS
EQUASPACED ON A 10.00 IN
(25.4cm) DIAMETER BOLT CIRCLE



FRONT VIEW

SIDE VIEW