

World's Leading Manufacturer Of Fibreglass Whip Antennas



SPECIALISTS FOR HIGH AND VERY HIGH FREQUENCIES

VECM-2200

Wide Spectrum

Multi-Band Antenna

THE VECM-2200 IS A WIDE SPECTRUM VEHICULAR WHIP ANTENNA SYSTEM COVERING FREQUENCY BANDS ACROSS THE HF AND VHF DESIGNATIONS. THE VECM-2200 IS IDEALLY SUITED FOR CUTTING EDGE WIDE SPECTRUM ELECTRONIC COUNTERMEASURE SYSTEMS. AS WELL, IT CAN BE USED FOR STANDARD HF AND VHF COMMUNICATIONS, REPLACING A MULTIPLE ANTENNA CONFIGURATION. THE VECM-2200 ANTENNA BOASTS A POWER HANDLING CAPABILITY OF UP TO 100 WATTS AND A NOMINAL 3.5:1 VSWR ACROSS THE ENTIRE OPERATING BAND OF 20 MHZ TO 200 MHZ.

THE STANDARD VECM-2200 IS CONFIGURED AS A SINGLE INPUT ANTENNA, USING AN N-TYPE INPUT CONNECTOR. OTHER OPTIONS WILL ALLOW FOR UP TO THREE SEPARATE INPUTS TO CONNECT MULTIPLE RADIO SYSTEMS.

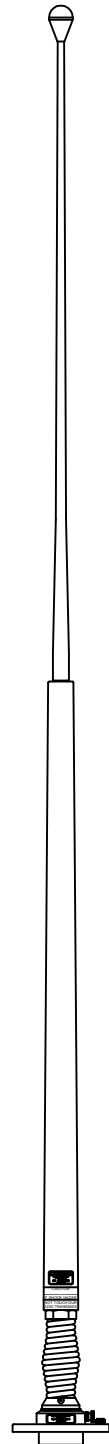
THE VECM-2200 WHIP COMES IN TWO PIECES WHICH EASILY THREAD TOGETHER TO CREATE A DIPOLE-STYLE ANTENNA SYSTEM WITH INTEGRAL MATCHING NETWORKS. THE ANTENNA IS HOUSED WITHIN RUGGED FIBREGLASS ENVELOPES. THE LOWER WHIP HAS AN INTEGRATED BASE SUPPORT SPRING WHICH THREADS INTO AN ALUMINUM MOUNTING FLANGE ATTACHED TO THE VEHICLE USING A STANDARD VEHICULAR MOUNT.

THE UPPER WHIP SECTION PROVIDES HIGH VOLTAGE ISOLATION TO 10KV PROVIDING SAFETY TO PERSONNEL AND EQUIPMENT IN THE CASE OF AN ACCIDENTAL STRIKE OF THE ANTENNA TO AN OVERHEAD POWERLINE.

FEATURES:

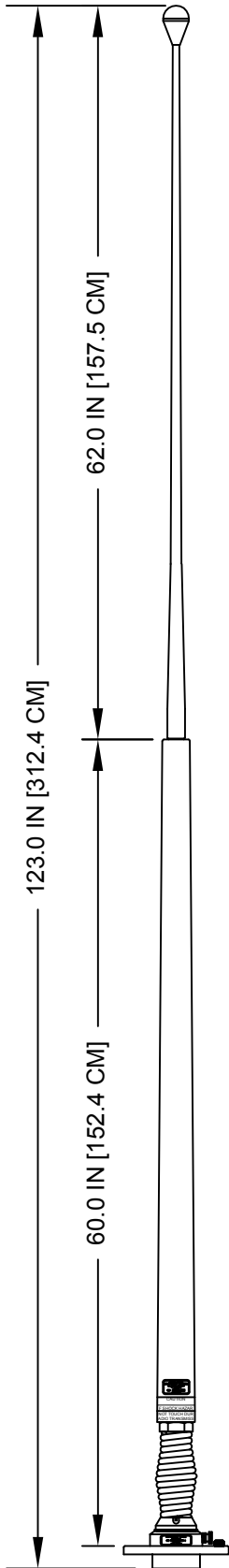
- **WIDE BANDWIDTH**
- **PERFORMS WITH OR WITHOUT A GROUND PLANE**
- **RUGGED AND RELIABLE DESIGN**
- **EASY ASSEMBLY/DISASSEMBLY**

* PATENT PENDING



QUICK REFERENCE DATA

VECM-2200



ELECTRICAL

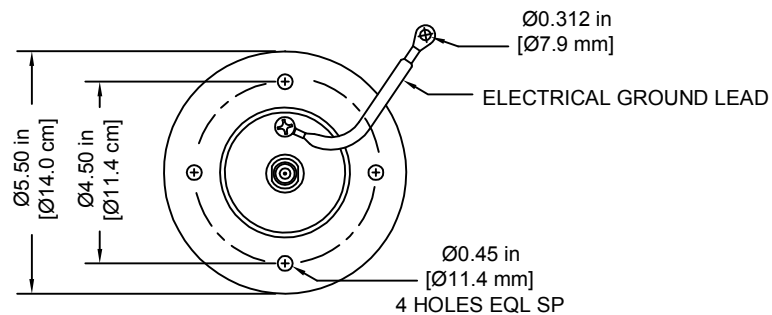
FREQUENCY RANGE	20 - 200 MHz
RADIATION PATTERN	OMNIDIRECTIONAL
GAIN	-10.0 dBi TO +1.0 dBi
VSWR	3.5:1 NOMINAL
POLARIZATION	VERTICAL
POWER HANDLING	20 - 200 MHz: 100 WATTS CONTINUOUS
HIGH VOLTAGE PROTECTION	10 kVrms to MIL-STD-202
NOM INPUT IMPEDANCE	50 OHMS
INPUT CONNECTOR	TYPE-N

MECHANICAL

WEIGHT	13.0 LBS (5.9 KG)
HEIGHT	123.0 INCHES (3.12 M)
CENTRE OF GRAVITY	21.0 INCHES (0.53 M) FROM BASE

ENVIRONMENTAL

TEMPERATURE	-60°F TO +160°F (-51°C TO +71°C)
WIND VELOCITY	50 MPH (80 KPH) OPERATING



BOTTOM VIEW

P.O. BOX 603 GUELPH, ONTARIO, CANADA, N1H 6L3
 TEL 519-824-3220 FAX 519-824-3411
 INTERNET: www.valcom-guelph.com EMAIL: enquiries@valcom-guelph.com
 Specifications are subject to change without notice.

