

World's Leading Manufacturer Of Fibreglass Whip Antennas

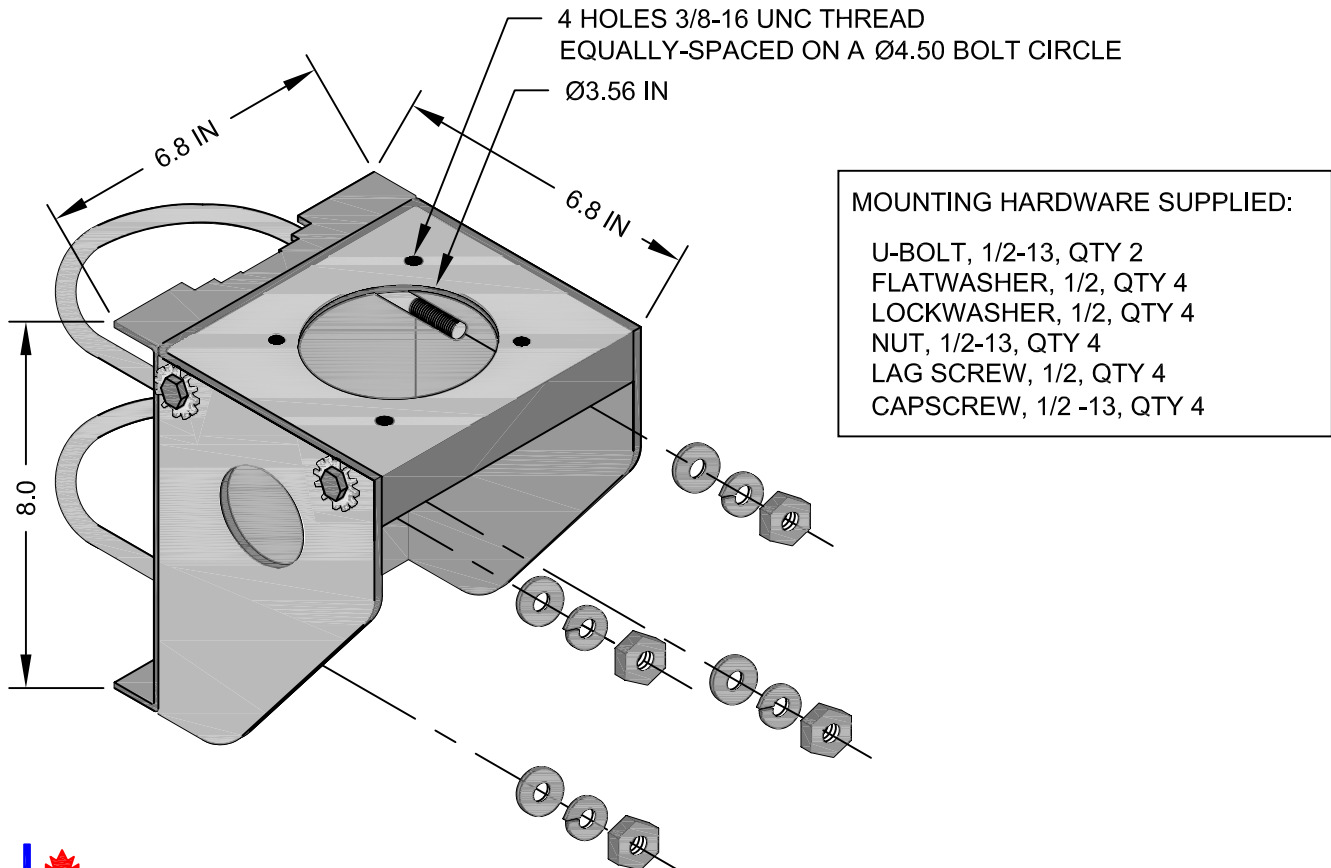


SPECIALISTS FOR HIGH FREQUENCY

VE-00-00313-1

AMU Mounting Bracket

THE AMU MOUNTING BRACKET IS A HEAVY DUTY ANTENNA MATCHING UNIT SUPPORT. IT IS MADE OF 0.187 INCH THICK STEEL AND HAS BEEN DESIGNED TO WITHSTAND THE HARSH ENVIRONMENTAL STRESSES EXPERIENCED IN REMOTE ANTENNA SITES AROUND THE WORLD. THE AMU MOUNTING BRACKET BOLTS DIRECTLY TO A FLAT VERTICAL SURFACE AND COMES WITH A POLE MOUNT BRACKET FOR INSTALLING TO A POLE OR MAST UP TO FOUR AND A HALF INCHES DIAMETER.



P.O. BOX 603 GUELPH, ONTARIO, CANADA, N1H 6L3
TEL 519-824-3220 FAX 519-824-3411

INTERNET: www.valcom-guelph.com EMAIL: enquiries@valcom-guelph.com