

World's Leading Manufacturer Of Fibreglass Whip Antennas



SPECIALISTS FOR VERY HIGH AND ULTRA HIGH FREQUENCIES

VMB-3512

Multi-Band Antenna

THE VMB-3512 IS A MULTI-BAND VEHICULAR WHIP ANTENNA SYSTEM DESIGNED TO PROVIDE VHF AND UHF COMMUNICATIONS FOR A RANGE OF MILITARY APPLICATIONS, SUCH AS THE JTRS PROGRAM OR WIDE SPECTRUM COUNTER MEASURE SYSTEMS. IT IS DESIGNED FOR USE WITH TODAY'S CUTTING EDGE, WIDE-BAND, FREQUENCY AGILE RADIOS OPERATING WITHIN ITS 30-512 MHZ BAND AND CAN BE USED TO REPLACE A MULTIPLE ANTENNA SETUP. THE VMB-3512 BOASTS A POWER HANDLING CAPABILITY OF 100 WATTS AND LESS THAN 3.5:1 VSWR ACROSS THE ENTIRE OPERATING BAND.

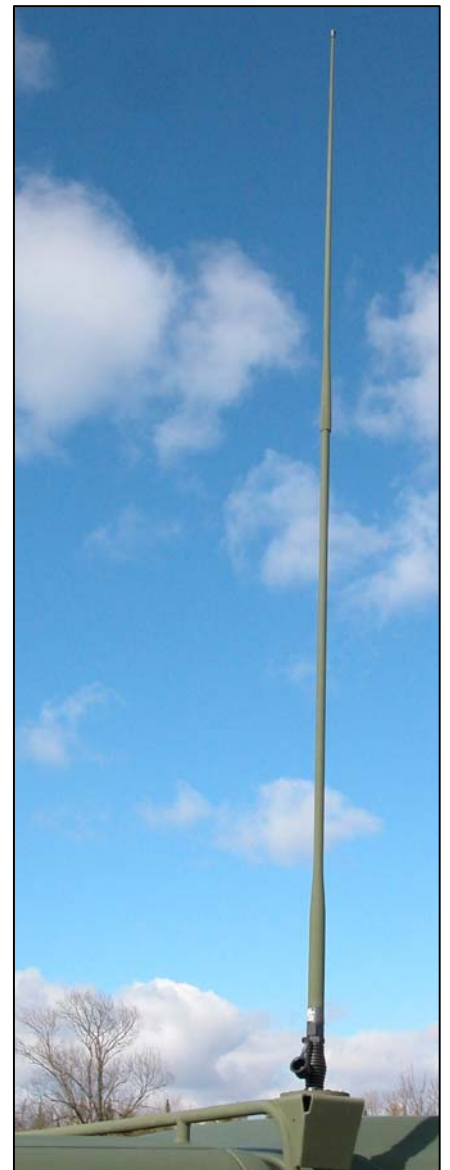
THE VMB-3512 WHIP COMES IN TWO PIECES WHICH EASILY THREAD TOGETHER TO CREATE A DIPOLE-STYLE ANTENNA SYSTEM WITH INTEGRAL MATCHING NETWORKS, ALL HOUSED WITHIN FIBREGLASS ENVELOPES. THE LOWER WHIP HAS AN INTEGRAL BASE SUPPORT SPRING WHICH THREADS INTO AN ALUMINUM MOUNTING FLANGE ATTACHED TO THE VEHICLE USING A STANDARD VEHICULAR MOUNT.

EMP (ELECTRO-MAGNETIC PULSE) AND HIGH VOLTAGE ISOLATION ARE ALSO INCORPORATED INTO THE VMB-3512. THE UPPER WHIP SECTION PROVIDES HIGH VOLTAGE ISOLATION TO 20kVRMS PROVIDING SAFETY TO PERSONNEL AND EQUIPMENT IN THE CASE OF AN ACCIDENTAL STRIKE OF THE ANTENNA TO AN OVERHEAD POWERLINE. AN EYE PROTECTION DEVICE AT THE TIP OF THE ANTENNA PROVIDES FURTHER SAFETY TO THE USER.

FEATURES:

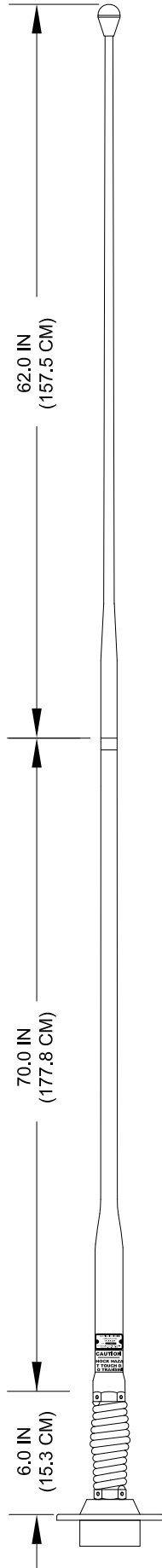
- EXTREMELY WIDE BANDWIDTH
- PERFORMS WITH OR WITHOUT A GROUND PLANE
- RUGGED AND RELIABLE DESIGN
- BASE MOUNT FOR PLACEMENT FLEXIBILITY
- HIGH VOLTAGE ISOLATION FOR SAFETY
- EASY ASSEMBLY/DISASSEMBLY

* PATENT PENDING



QUICK REFERENCE DATA

VMB-3512



ELECTRICAL

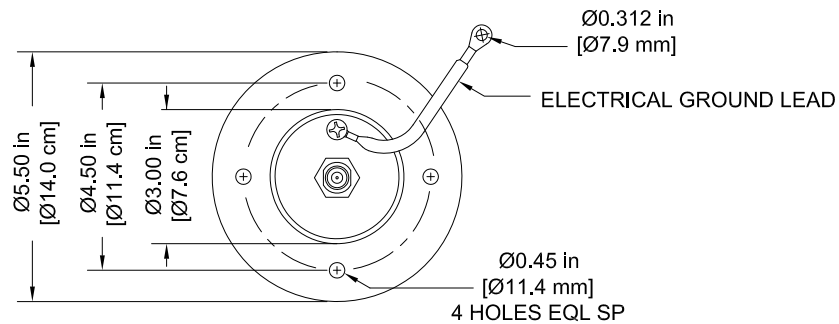
FREQUENCY RANGE	30 - 512 MHz
RADIATION PATTERN	OMNIDIRECTIONAL
GAIN	-5.0 dBi TO +3.0 dBi
VSWR	3.5:1 MAXIMUM
POLARIZATION	VERTICAL
POWER HANDLING	100 WATTS CONTINUOUS
HIGH VOLTAGE PROTECTION	TOP ELEMENT: 20kVrms LOWER ELEMENT: 10 kVrms to MIL-STD-202
NOM INPUT IMPEDANCE	50 OHMS
INPUT CONNECTOR	TYPE-N (STD), (BNC OPTIONAL)

MECHANICAL

WEIGHT	10.5 LBS (4.13kg)
HEIGHT	138.0 INCHES (3.50 M)

ENVIRONMENTAL

TEMPERATURE	-60°F TO +160°F (-51°C TO +71°C)
WIND VELOCITY	70 MPH (112 KPH) OPERATING
IMPACT	25 BLOWS AT 25 MPH ON A 4"X4" OAK BEAM
DESIGNED TO MEET ALL ENVIRONMENTAL ASPECTS OF MIL-STD-810G	



BOTTOM VIEW

P.O. BOX 603 GUELPH, ONTARIO, CANADA, N1H 6L3

TEL 519-824-3220 FAX 519-824-3411

INTERNET: www.valcom-guelph.com EMAIL: enquiries@valcom-guelph.com

Specifications are subject to change without notice.

