

**World's Leading Manufacturer Of Fibreglass Whip Antennas**



**SPECIALISTS FOR ULTRA HIGH FREQUENCY**

---

# **UHF Vertical Dipole Antenna AS-2810C/SRC**

---

**THE AS-2810C/SRC UHF VERTICAL DIPOLE ANTENNA IS A RUGGED, SELF SUPPORTING VERTICALLY POLARIZED BROADBAND ANTENNA COVERING THE FREQUENCY RANGE OF 225 TO 400 MHz. THIS LIGHT WEIGHT, ALL PURPOSE ANTENNA CAN BE USED IN THE TRANSMIT OR RECEIVE MODE.**

**THE ANTENNA IS DESIGNED FOR RELIABLE USE UNDER THE SEVERE ENVIRONMENTAL CONDITIONS ENCOUNTERED ABOARD NAVAL SHIPS.**

**THE ANTENNA RADIATING ELEMENTS ARE HOUSED WITHIN A SINGLE PIECE FIBREGLASS RADOME AND HAVE AN ALUMINUM MOUNTING FLANGE.**

**THE ANTENNA CAN HANDLE 800 WATTS PEAK ENVELOPE POWER AND 500 WATTS AVERAGE RF POWER OVER THE ENTIRE FREQUENCY RANGE. IT HAS A VSWR OF LESS THAN 2.0:1 OVER THE 225-400 MHz BAND.**



**FEATURES:**

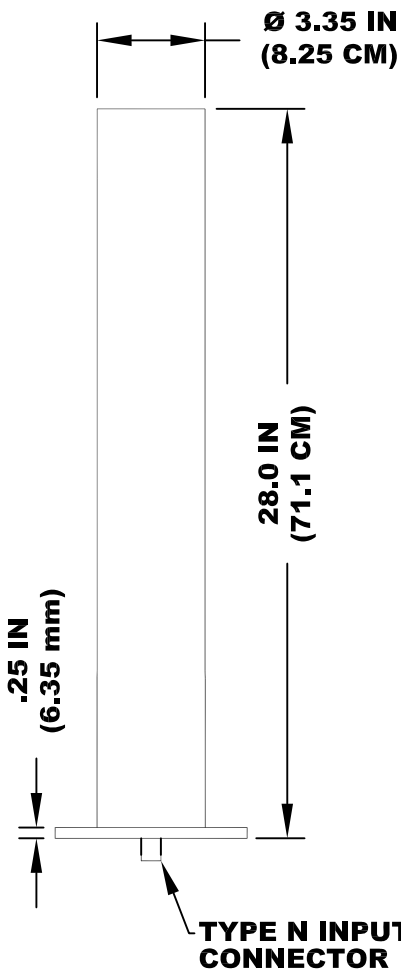
- **BROADBAND**
- **LIGHTWEIGHT**
- **SHIPBOARD APPLICATIONS**
- **RECEIVING OR TRANSMITTING**
- **WEATHERPROOF**

# AS-2810C/SRC

## QUICK REFERENCE DATA

### ELECTRICAL CHARACTERISTICS

<b>FREQUENCY RANGE</b>	<b>225 MHz TO 400 MHz</b>
<b>INPUT IMPEDANCE</b>	<b>50 OHMS</b>
<b>POLARIZATION</b>	<b>VERTICAL</b>
<b>POWER RATING</b>	<b>500 W (AVERAGE) 800 W PEAK</b>
<b>AZIMUTH COVERAGE</b>	<b>OMNIDIRECTIONAL</b>
<b>VSWR</b>	<b>2.0:1 MAXIMUM</b>
<b>GAIN</b>	<b>2 dBic (AVERAGE)</b>
<b>INPUT CONNECTION</b>	<b>N TYPE RECEPTACLE</b>

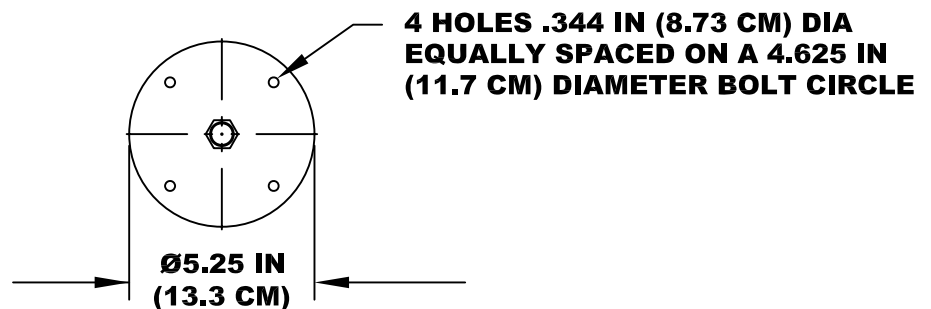


### MECHANICAL CHARACTERISTICS

<b>ANTENNA OVERALL LENGTH</b>	<b>28.0 IN (71.1 CM)</b>
<b>ANTENNA WEIGHT</b>	<b>5.5 LBS (2.47 KG)</b>
<b>OPERATING TEMPERATURE</b>	<b>-55°C TO +65°C</b>
<b>RADIATING ELEMENT</b>	<b>ALUMINUM</b>
<b>RADOME MATERIAL</b>	<b>EXPOXY FIBREGLASS</b>
<b>BASE FLANGE</b>	<b>ALUMINUM</b>
<b>FINISH</b>	<b>HAZE GRAY SILICONE ALKYD ENAMEL</b>
<b>VIBRATION</b>	<b>MIL-STD-167, TYPE 1</b>
<b>SHOCK</b>	<b>MIL-S-901C, GRADE A</b>
<b>HUMIDITY</b>	<b>MIL-STD-810E, PROCEDURE III</b>

**NOTES:**

- DO NOT USE LEAD BASE PAINT TO TOUCH-UP OR REPAINT ANTENNA



### BOTTOM VIEW



P.O. BOX 603 GUELPH, ONTARIO, CANADA, N1H 6L3  
 TEL 519-824-3220 FAX 519-824-3411

INTERNET: [www.valcom-guelph.com](http://www.valcom-guelph.com) EMAIL: [enquiries@valcom-guelph.com](mailto:enquiries@valcom-guelph.com)