

World's Leading Manufacturer Of Fibreglass Whip Antennas



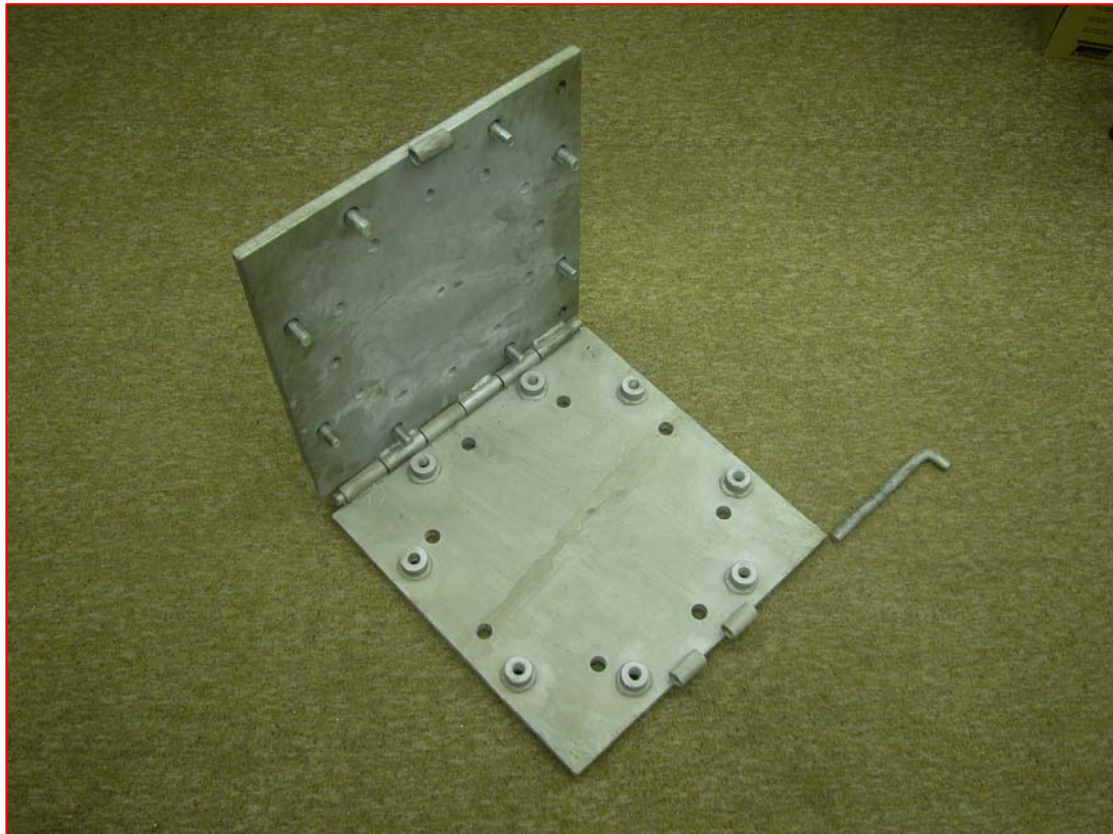
SPECIALISTS FOR HIGH FREQUENCY

---

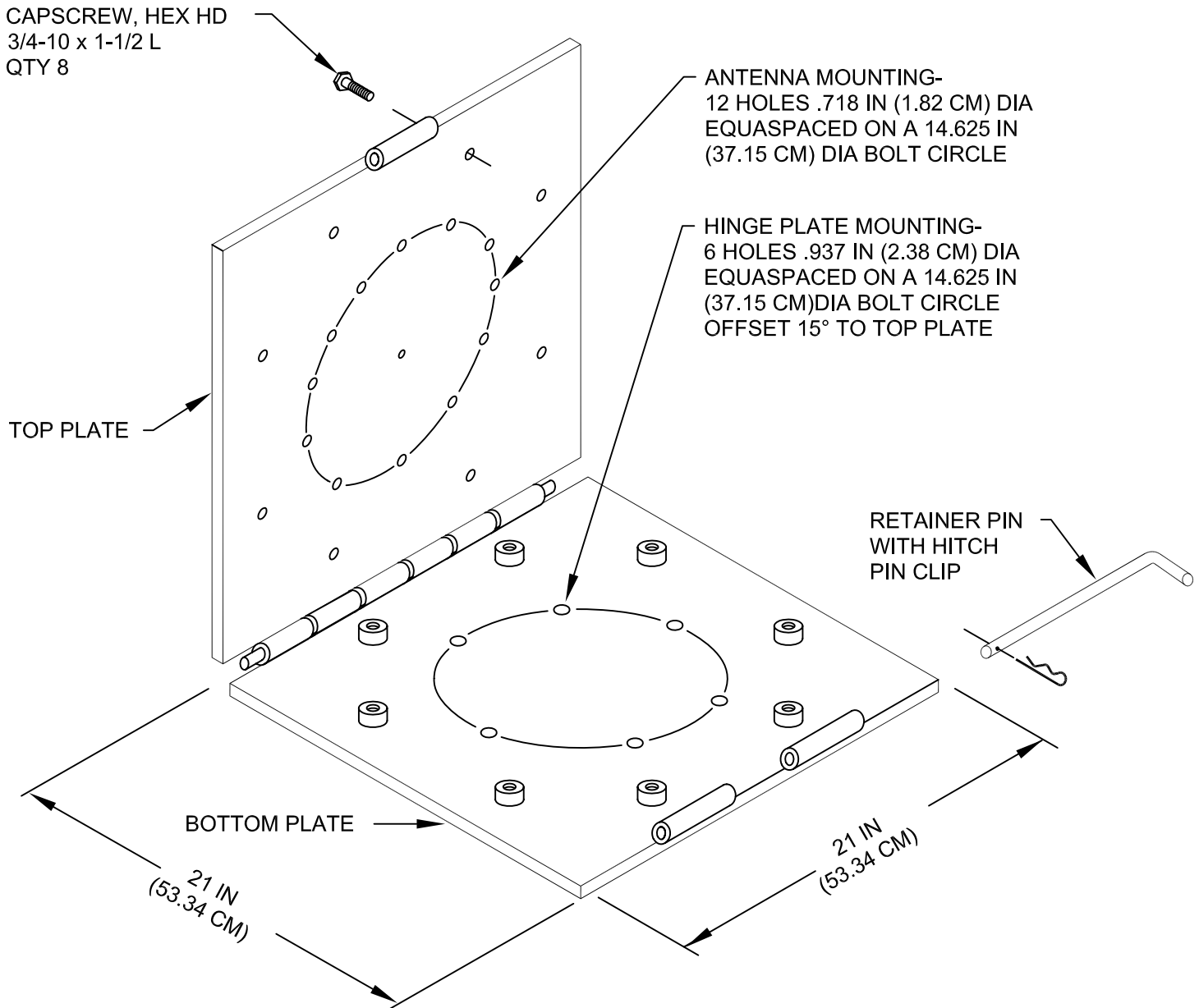
## **VHB-17 Hinge Plate**

---

THE VHB-17 HINGE PLATE IS CONSTRUCTED OF 1/2 THICK GALVANIZED STEEL AND IS USED TO FACILITATE IN THE ERECTION AND DISMANTLING OF VALCOM'S V330 SERIES SIDE FEED ANTENNAS.



# VHB-17 HINGE PLATE QUICK REFERENCE DATA



THE FOLLOWING ARE SUPPLIED AS LOOSE ITEMS:

1. CAPSCREW, HEX HD, 5/8-11 X 4 L, ZINC/PL STEEL, QTY 12
2. FLATWASHER, 5/8 NOM, ZINC/PL STEEL, QTY 24
3. WASHER, LOCK-SPRING, HELICAL, 5/8 NOM, ZINC/PL STEEL, QTY 12
4. NUT, HEX, 5/8-11, ZINC/PL STEEL, QTY 12



P.O. BOX 603 GUELPH, ONTARIO, CANADA, N1H 6L3  
TEL 519-824-3220 FAX 519-824-3411

INTERNET: [www.valcom-guelph.com](http://www.valcom-guelph.com) EMAIL: [enquiries@valcom-guelph.com](mailto:enquiries@valcom-guelph.com)