

World's Leading Manufacturer Of Fibreglass Whip Antennas



SPECIALISTS FOR ULTRA HIGH FREQUENCY

AT-197/GR Discone Antenna

THE AT-197/GR IS A COMPACT BROADBAND UHF DISCONE ANTENNA. ITS BROAD BANDWIDTH CAPABILITY MAKES IT PERFECTLY SUITED FOR SIGNAL RECEIVING AND MONITORING APPLICATIONS AS WELL AS FOR USE IN DIRECTION FINDING (DF) ARRAYS. THIS ANTENNA IS ALSO IDEAL FOR OMNIDIRECTIONAL TRANSMITTING APPLICATIONS REQUIRING HIGH POWER HANDLING.

THE AT-197/GR IS QUICKLY AND EASILY ASSEMBLED AND DISASSEMBLED. ALL ELEMENTS ARE SECURED WITH INTEGRAL QUARTER-TURN FASTENERS. THE LOWER ELEMENTS ARE RETAINED BY INDIVIDUAL CHAINS TO PREVENT LOSS.

USING AN OPTIONAL ADAPTER, THE ANTENNA CAN ALSO BE MOUNTED IN EITHER A STANDARD NATO 4-BOLT VEHICULAR MOUNT OR ATOP A VIXAM-40 MAST



FEATURES:

- BROADBAND
- HIGH POWER
- COMPACT AND LIGHT-WEIGHT
- EASY ASSEMBLY/DISASSEMBLY
- MULTIPLE MOUNTING OPTIONS

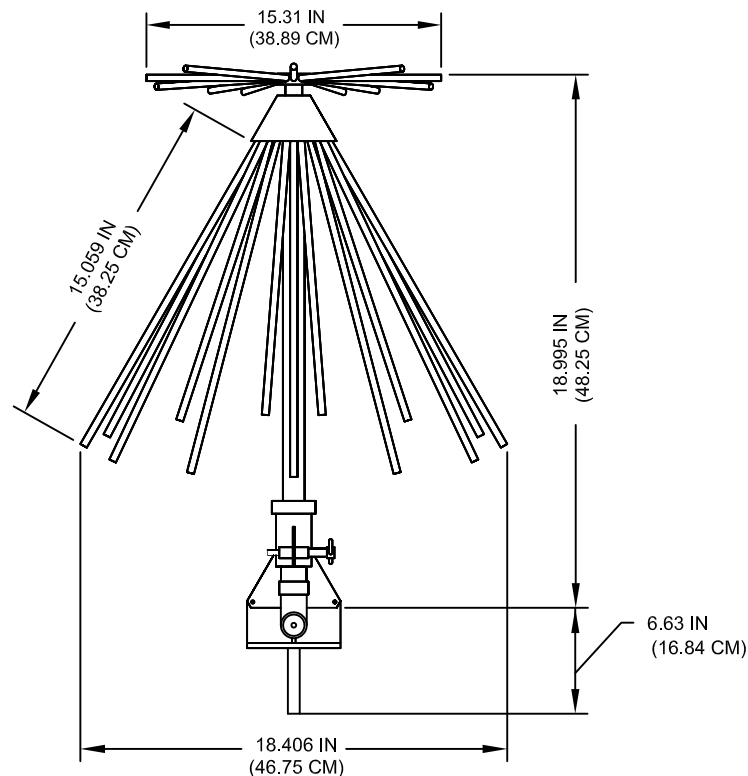
QUICK REFERENCE DATA AT-197/GR

ELECTRICAL

FREQUENCY	255 MHz TO 400 MHz
POLARIZATION	VERTICAL
RADIATION PATTERN	OMNI-DIRECTIONAL
ELEVATION 3 db BEAMWIDTH	40° NOMINAL
IMPEDANCE	50 OHMS
VSWR	LESS THAN 2:1
INPUT CONNECTOR	HN TYPE JACK (HN-TO-N TYPE ADAPTER INCL)
POWER HANDLING	1 KW (CONTINUOUS)

MECHANICAL

WEIGHT	8 LBS (3.63KG)
MATERIAL	ALUMINUM
TEMPERATURE OPERATING	-55°C TO +65°C (-67°F TO +149°F)
STORAGE	-65°C TO +80°C (-85°F TO +176°F)
FINISH	BAKED ENAMEL (COLOUR TO CUSTOMER'S REQUEST)



P.O. BOX 603 GUELPH, ONTARIO, CANADA, N1H 6L3

TEL 519-824-3220 FAX 519-824-3411

INTERNET: www.valcom-guelph.com EMAIL: enquiries@valcom-guelph.com

Specifications are subject to change without notice.