

World's Leading Manufacturer Of Fibreglass Whip Antennas



SPECIALISTS FOR AM BROADCASTING

85 ft Fibreglass Free-standing Antenna V33085AM-CL2-FT

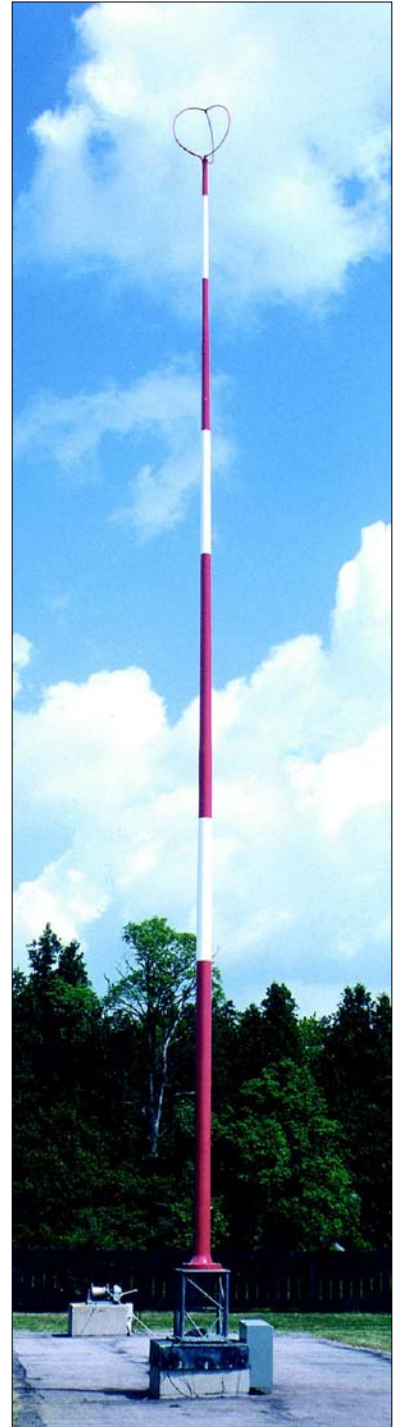
The Valcom Model V33085AM-CL2-FT is a heavy-duty, field-proven, high-reliability, coil-loaded, 85 foot, free standing whip antenna for AM broadcasting use.

The V33085AM-CL2-FT is designed to meet the FCC requirements for AM broadcasting antennas for all class C stations and any class B or class D stations operating at or above 1200 kHz.

The V33085AM-CL2-FT is ideally suited for use as an STA or a backup antenna for all AM stations. As well, this antenna makes very good, very rugged Beacon antenna.

FEATURES:

- FCC APPROVABLE ABOVE 1200 KHZ
- HIGH EFFICIENCY
- LOW COST INSTALLATION
- LOW COST MAINTENANCE
- HIGH STRENGTH FILAMENT WOUND
- SELF-SUPPORTING ANTENNA
- NO OBSTRUCTION LIGHTING REQUIRED
- BOTTOM FEED FOR MORE VERSATILITY



V33085AM-CL2-FT QUICK REFERENCE DATA

ELECTRICAL CHARACTERISTICS

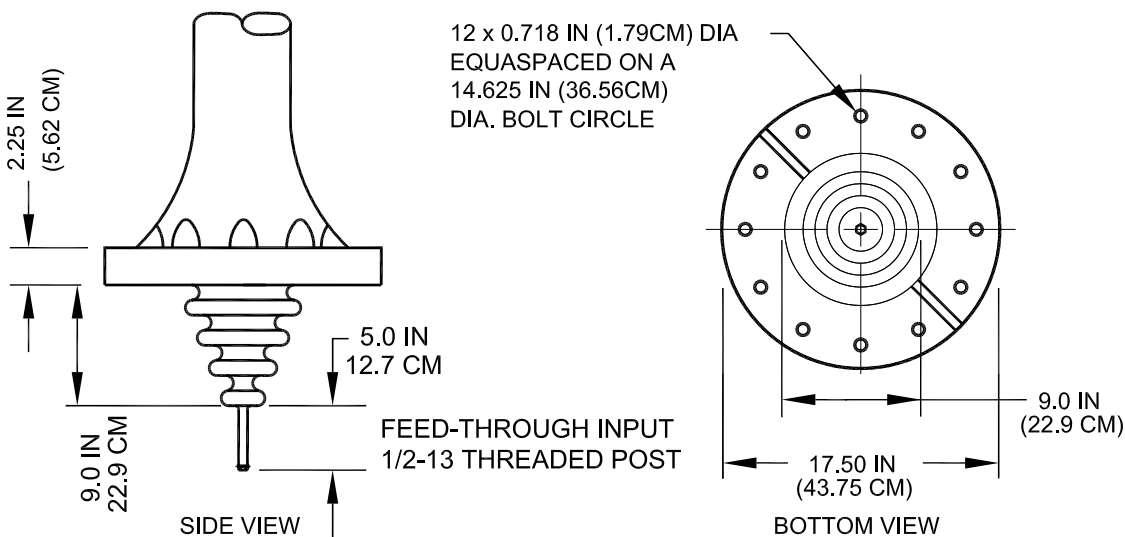
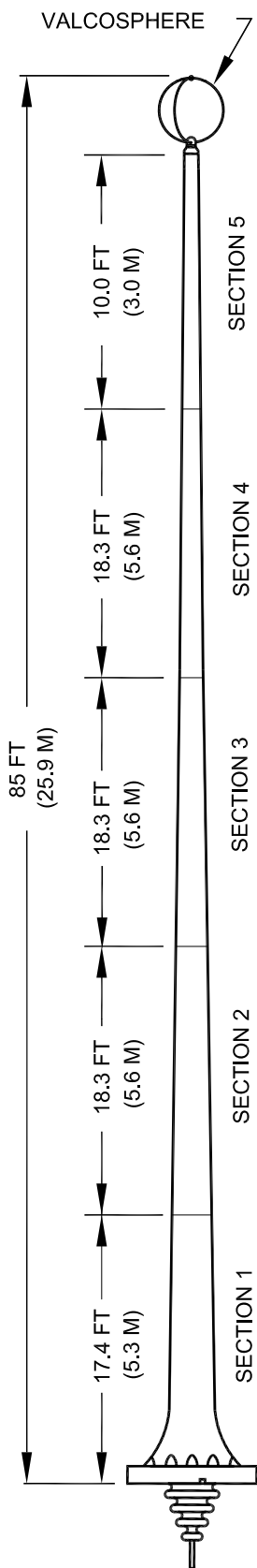
RESONANT FREQUENCY (f_0)	240 - 1700 KHZ (SPECIFIED BY CUST)
POWER RATING	1 KW FOR FREQ OF 240 - 540 KHZ
	2 KW FOR FREQ OF 540 - 790 KHZ
	4 KW FOR FREQ OF 800 - 1090 KHZ
	6 KW FOR FREQ OF 1100 - 1390 KHZ
10 KW FOR FREQ OF 1400 - 1700 KHZ	
DRY WITHSTANDING VOLTAGE	30 KV
ELECTRICAL LENGTH	DEPENDANT ON f_0
POSITION OF LOADING COIL	2ND SECTION
OPERATING FREQUENCY	SPECIFIED BY CUSTOMER
INPUT IMPEDANCE AT f_0	DEPENDANT ON f_0
Q AT OPERATING FREQUENCY	DEPENDANT ON f_0

MECHANICAL CHARACTERISTICS

MECHANICAL LENGTH	85 FT (25.9 M)
VALCOSPHERE	32 IN (81.3 CM) DIA
ANTENNA MATERIAL	FILAMENT WOUND EPOXY/FIBREGLASS
TOP TERMINATION	VALCOSPHERE
JOINTS	BRONZE FERRULE C/W LOCKING PIN
WIND LOADING TEST	170 MPH (272 KPH)
TEMPERATURE	-60°F TO 150°F (-50°C TO 65°C)
FINISH	POLYURETHANE PAINT
COLOUR	WHITE, OTHER COLOURS AVAILABLE
WEIGHT	950 LBS (432 KG) MAX

NOTES:

1. THE ADVANTAGE OF A CENTRE LOADING COIL IS A REDUCED RESONANCE OVER THAT OF A STRAIGHT 1/4-WAVE WHIP WHICH REDUCES BASE FEED IMPEDANCE AND VOLTAGE, THEREFORE PROVIDING AND GREATER POWER HANDLING CAPABILITY.
2. DO NOT USE LEAD BASE PAINT TO TOUCH-UP OR REPAINT ANTENNA.



P.O. BOX 603 GUELPH, ONTARIO, CANADA, N1H 6L3
TEL 519-824-3220 FAX 519-824-3411

INTERNET: www.valcom-guelph.com EMAIL: enquiries@valcom-guelph.com