

World's Leading Manufacturer Of Fibreglass Whip Antennas



SPECIALISTS FOR HIGH FREQUENCY

VBBA-NVIS

Broadband HF NVIS Antenna

VALCOM'S VBBA-NVIS ANTENNA IS SPECIFICALLY DESIGNED FOR LONG RANGE HF COMMUNICATIONS USING NEAR VERTICAL INCIDENT SKYWAVE (NVIS) TECHNIQUES. THIS ANTENNA CAN BE USED WHERE TRADITIONAL SURFACE WAVE PROPOGATION IS NOT PRACTICAL BY MEANS OF A TRADITIONAL WHIP ANTENNA, DUE TO RANGE REQUIREMENTS OR TERRAIN DIFFICULTIES.

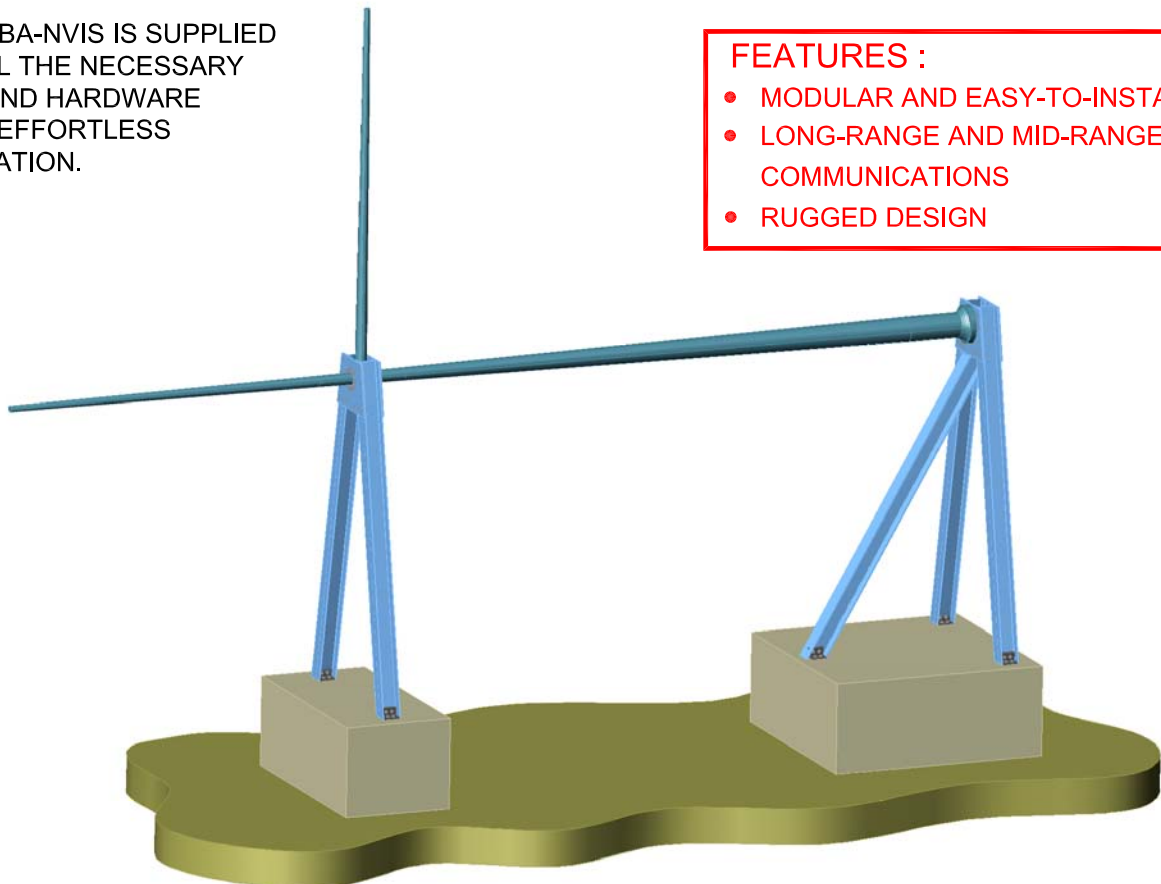
THE ANTENNA IS BASED ON VALCOM'S FIELD-PROVEN VBBA2-30 MODEL BROADBAND ANTENNA. WITH THE USE OF HIGH-STRENGTH FIBREGLASS SUPPORTS, THE ANTENNA IS MOUNTED HORIZONTALLY TO PROVIDE AN NVIS CAPABLE RADITAION PATTERN. THE STRUCTURE IS EXTREMELY RUGGED AND IS BUILT TO SURVIVE SEVERE ENVIRONMANTAL CONDITIONS IN A PERMANENT INSTALLATION.

THE VBBA-NVIS ANTENNA IS BROADBAND IN NATURE AND PROVIDES A MAXIMUM VSWR OF 2.5:1 WITHOUT THE NEED OF AN EXTERNAL TUNER. AN OPTIONAL VERTICAL WHIP ATTACHMENT WIDENS THE ANTENNA'S VERTICAL PATTERN TO PROVIDE UNI-DIRECTIONAL MID-RANGE COMMUNICATIONS.

THE VBBA-NVIS IS SUPPLIED WITH ALL THE NECESSARY PARTS AND HARDWARE FOR AN EFFORTLESS INSTALLATION.

FEATURES :

- MODULAR AND EASY-TO-INSTALL
- LONG-RANGE AND MID-RANGE COMMUNICATIONS
- RUGGED DESIGN



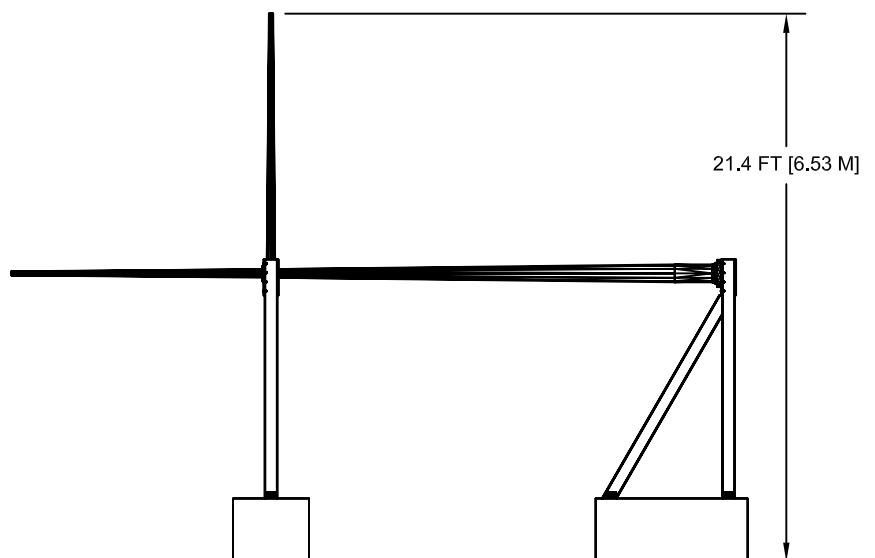
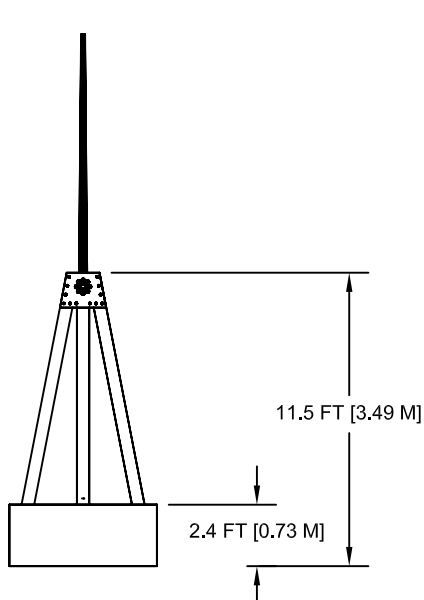
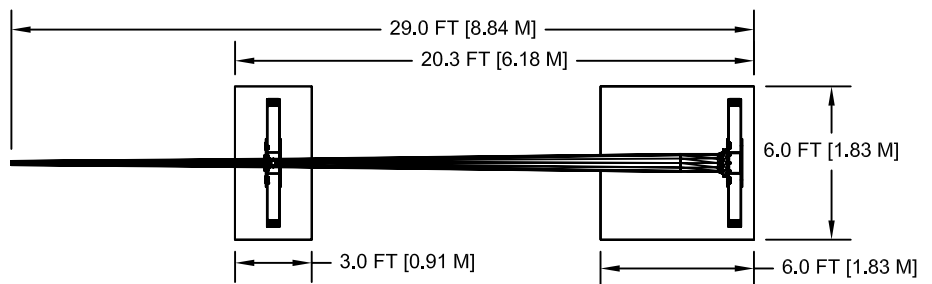
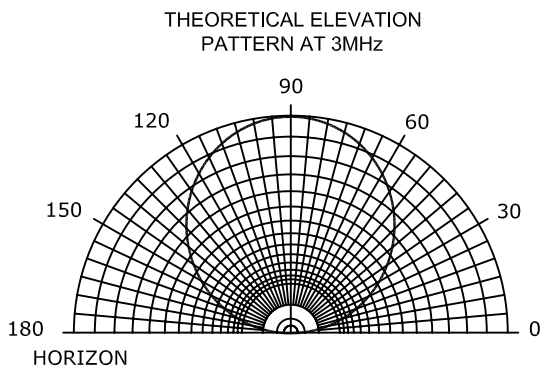
QUICK REFERENCE DATA VBBA-NVIS ANTENNA

ELECTRICAL CHARACTERISTICS

FREQUENCY RANGE	3-15 MHz NVIS [2-30 MHz SURFACE WAVE]
POWER RATING	3000 W CONTINUOUS
POLARIZATION	HORIZONTAL AND VERTICAL SIMULTANEOUSLY
RADIATION PATTERN, AZIMUTH	OMNIDIRECTIONAL
RADIATION PATTERN, ELEVATION	NEAR VERTICAL INCIDENT SKYWAVE
IMPEDANCE	50 OHMS (NOMINALLY)

MECHANICAL CHARACTERISTICS

ASSEMBLED HEIGHT	10 FT (3.0 M) [20 FT (6.1 M) WITH OPTIONAL VERTICAL]
ASSEMBLED DIMENSIONS	30 FT X 3 FT (9.1 M X 0.9 M)
WEIGHT	633 LBS (287 KG)
WIND LOAD	170 MPH (272 KM/H)
TEMPERATURE	-20 °C TO +65 °C
HUMIDITY	0 TO 100%
VIBRATION	MIL-STD-167-1, TYPE I
FINISH	EPOXY POLYAMIDE PAINT, COLOUR WHITE



Diagrams not to scale



P.O. BOX 603 GUELPH, ONTARIO, CANADA, N1H 6L3

TEL 519-824-3220 FAX 519-824-3411

INTERNET: www.valcom-guelph.com EMAIL: enquiries@valcom-guelph.com

Information subject to change without notice