

World's Leading Manufacturer Of Fibreglass Whip Antennas



SPECIALISTS FOR VERY HIGH FREQUENCY

VDS-110 Vehicular Dipole

THE VALCOM MODEL VDS-110 IS A VERTICAL VHF DIPOLE ANTENNA THE VDS-110 OPERATES IN THE 30 TO 110 MHZ FREQUENCY RANGE. THE VDS-110 IS DESIGNED TO WITHSTAND THE ROUGH CONDITIONS CHARACTERISTIC TO VEHICULAR ENVIRONMENTS.

IT IS CONSTRUCTED IN THREE SECTIONS; A TWO PIECE WHIP AND A BASE MOUNT INSULATOR. THE TWO WHIP SECTIONS THREAD TOGETHER USING ROLLED THREAD FERRULES TO FORM THE COMPLETE WHIP. EACH SECTION IS CONSTRUCTED OF RESIN IMPREGNATED FIBREGLASS CLOTH TO CREATE A HIGHLY FLEXIBLE YET EXTREMELY DURABLE WHIP ANTENNA.

THE VALCOM VDS-110'S THREE SECTIONS ARE DIRECTLY INTERCHANGEABLE WITH THE THREE SECTIONS OF THE AS-5242/U VEHICULAR ANTENNA. THE BASE MOUNT INSULATOR IS EQUIPPED WITH A RUGGED SPRING WHICH IS USED FOR ABSORBING IMPACT ON THE WHIP AND ALLOWING THE WHIP TO BE TIED DOWN HORIZONTALLY FOR STORAGE.

FEATURES:

- MINIMUM MAINTENANCE
- HIGH RELIABILITY
- VEHICULAR APPLICATIONS
- LIGHTWEIGHT



QUICK REFERENCE DATA VDS-110

ELECTRICAL CHARACTERISTICS

FREQUENCY RANGE	30 - 110 MHz
POLARIZATION	VERTICAL
POWER RATING	100 W (AVERAGE) 140 W (PEAK)
AZIMUTH COVERAGE	OMNIDIRECTIONAL ± 3 dB
HIGH VOLTAGE PROTECTION	13.5 kV UPON CONTACT WITH HIGH POWER LINE OR HIGH VOLTAGE SOURCE

MECHANICAL CHARACTERISTICS

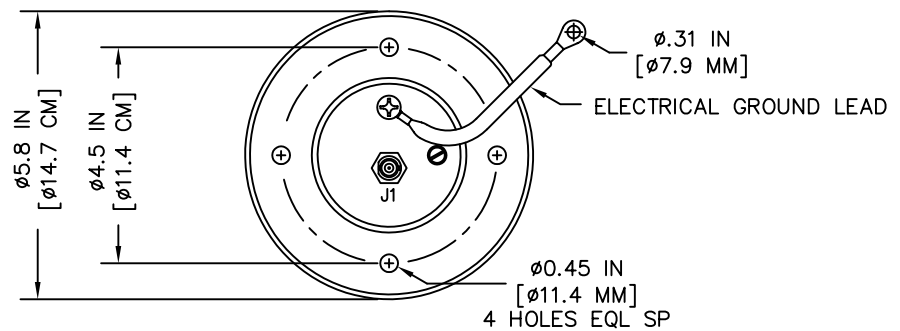
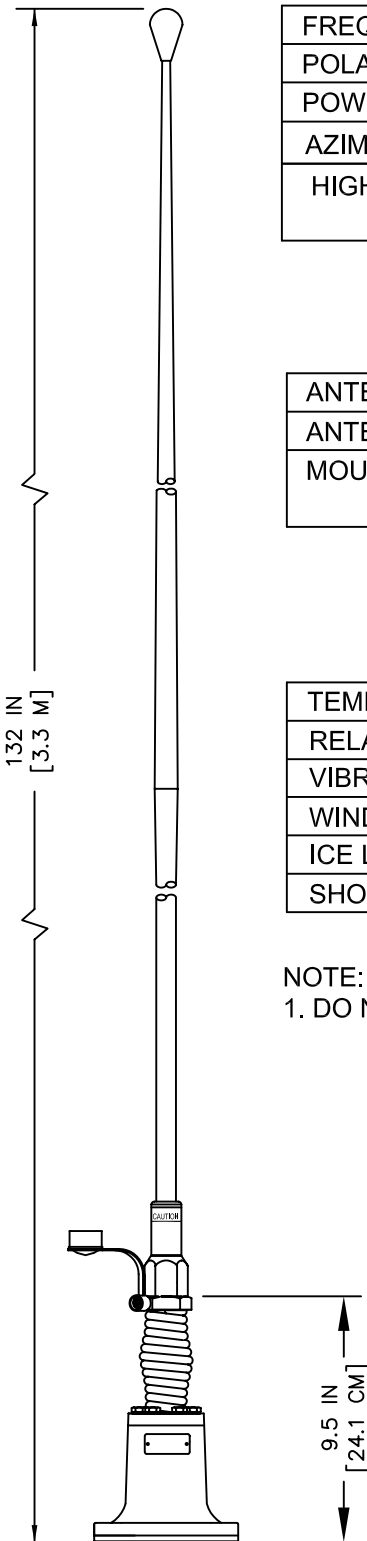
ANTENNA OVERALL LENGTH	11 FT (3.3 M) (NOM)
ANTENNA WEIGHT	10 LBS (4.5 KG)
MOUNT	4 $\varnothing 0.45$ IN HOLES EQUISPACED ON A $\varnothing 4.5$ IN BOLT CIRCLE

ENVIRONMENTAL CHARACTERISTICS

TEMPERATURE	-50°C TO 65°C (-60°F TO 150°F)
RELATIVE HUMIDITY	0-100%
VIBRATION	MIL-STD-167-1 TYPE 1
WIND VELOCITY	140 MPH (224 KPH)
ICE LOADING	4.5 LBS/SQ FT (22 KG/SQ M)
SHOCK	MIL-S-901 GRADE A

NOTE:

- DO NOT USE LEAD BASE PAINT TO TOUCH-UP OR REPAINT ANTENNA



BOTTOM VIEW



P.O. BOX 603 GUELPH, ONTARIO, CANADA, N1H 6L3

TEL 519-824-3220 FAX 519-824-3411

INTERNET: www.valcom-guelph.com EMAIL: enquiries@valcom-guelph.com

Specifications are subject to change without notice.