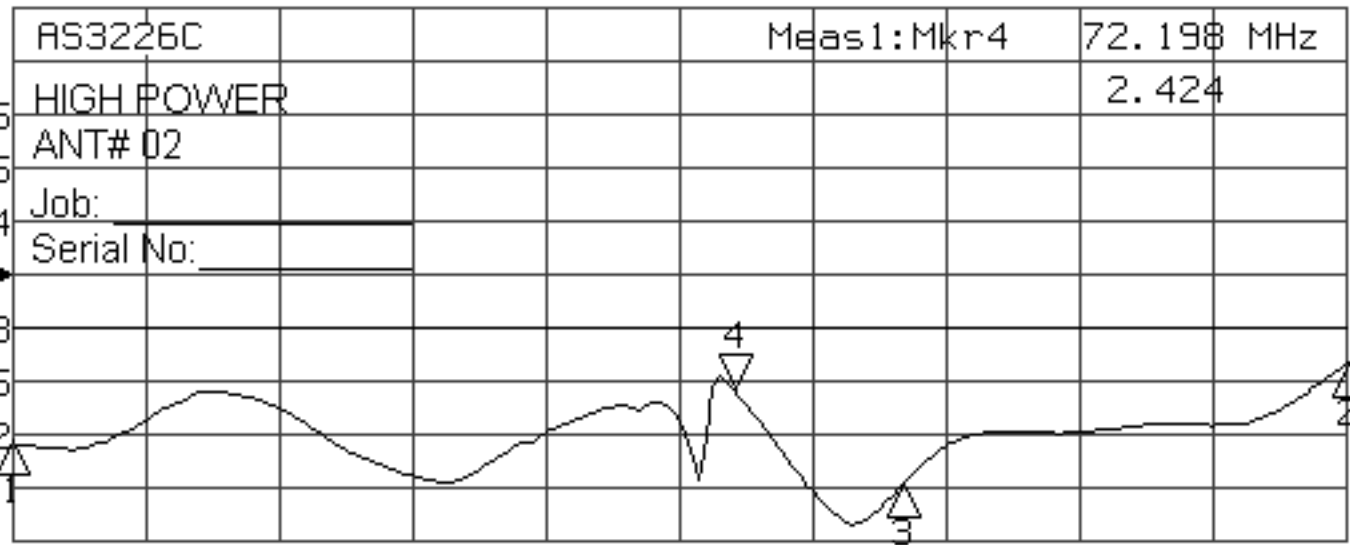


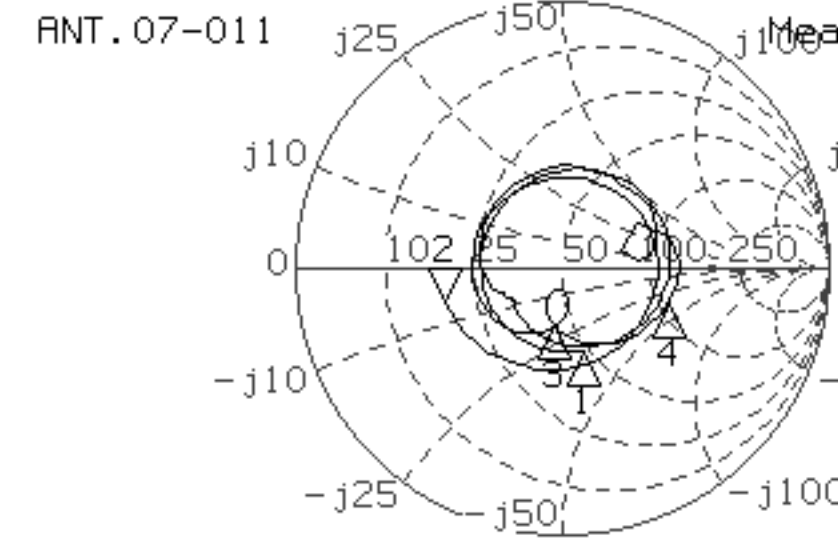
►1: Reflection /M SWR 0.5 / Ref 3.500

HARDCOPY



Start 30.000 MHz Stop 108.000 MHz

►2: Reflection /M Smith 1 U FS



Start 30.000 MHz Stop 108.000 MHz

Meas1:Mkr4 72.198 MHz

HIGH POWER 2.424

ANT# 02

Job:

Serial No:

Start

Abort

Select Copy Port

Define PCL5

Define Printer

Define Plotter

Define Hardcopy

Meas2:Mkr2 108.000 MHz

18.98n

-6.453n

228.4pF