

World's Leading Manufacturer Of Fibreglass Whip Antennas



SPECIALISTS FOR ULTRA HIGH FREQUENCIES

VWB-56000 UHF/SHF Antenna

THE VWB-56000 IS A UHF/SHF DIPOLE-STYLE ANTENNA DESIGNED TO PROVIDE UHF AND SHF COMMUNICATIONS FOR A RANGE OF MILITARY APPLICATIONS. IT IS DESIGNED FOR USE WITH TODAY'S CUTTING EDGE, WIDE-BAND, FREQUENCY AGILE RADIOS. THE VWB- 56000 BOASTS A POWER HANDLING CAPABILITY OF UP TO 100 WATTS AND LESS THAN 2.5:1 VSWR ACROSS THE ENTIRE OPERATING BAND OF 500 MHz TO 6000 MHz.

THE VWB-56000 ANTENNA COMES IN A TWO PIECE CONSTRUCTION. DIPOLE STYLE RADIATORS ARE SEALED INSIDE A FIBREGLASS ENVELOPE WITH AN INTEGRAL MOUNTING SPRING ATTACHED. THIS ASSEMBLY THEN THREADS SECURLY INTO AN ALUMINUM MOUNTINGFLANGE WHICH ATTACHES TO THE VEHICLE USING A STANDARD NATO 4-HOLE PATTERN. THIS OFFERS A COMPACT ANTENNA DESIGN THAT IS EXTREMELY RUGGED, RELIABLE AND EASY TO USE.

FEATURES:

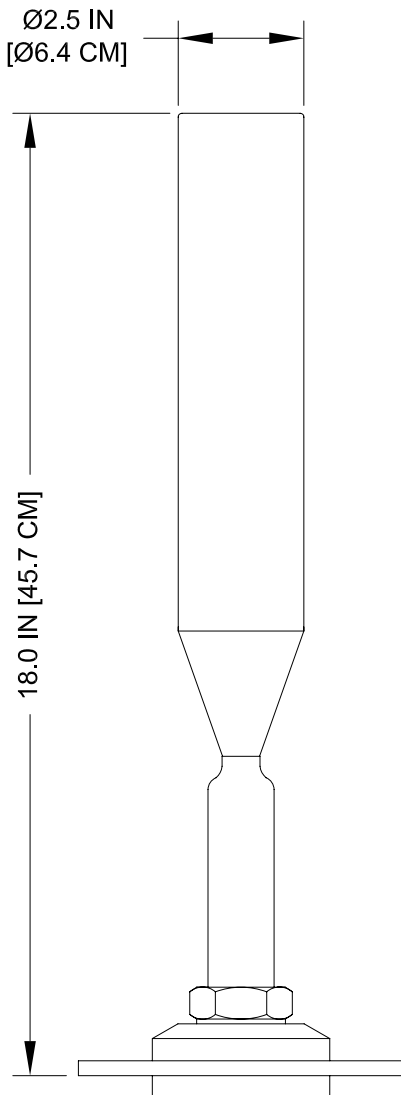
- **WIDE BANDWIDTH**
- **PERFORMS WITH OR WITHOUT A GROUND PLANE**
- **EXTREMELY RUGGED AND RELIABLE DESIGN**
- **BASE MOUNT FOR REPLACEMENT FLEXIBILITY**
- **EASY ASSEMBLY/DISASSEMBLY**



QUICK REFERENCE DATA VWB-56000

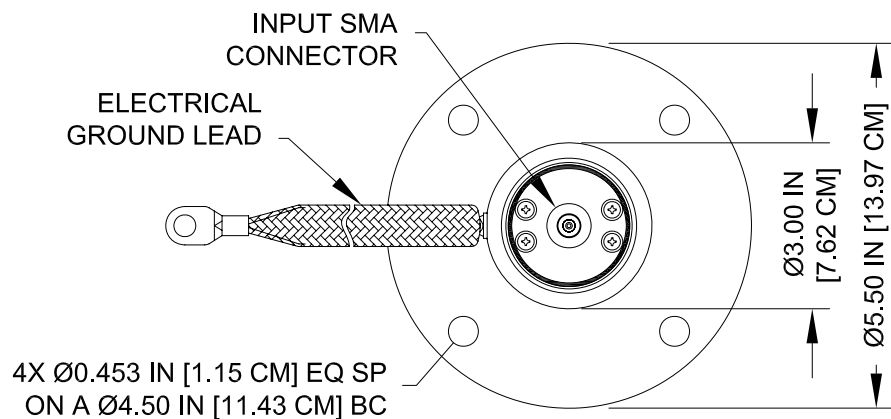
ELECTRICAL

FREQUENCY RANGE	500 - 6000 MHz
RADIATION PATTERN	OMNIDIRECTIONAL
GAIN	-2dBi TO +2dBi
VSWR	2.5:1 MAXIMUM
POLARIZATION	VERTICAL
POWER HANDLING	
500MHz-1000MHz	100 WATTS CONTINUOUS
1000MHz-6000MHz	50 WATTS CONTINUOUS
NOM INPUT IMPEDANCE	50 OHMS
INPUT CONNECTOR	SMA



MECHANICAL

WEIGHT	2.5 LBS (1.1 kg)
OVERALL HEIGHT	18.0 INCHES (45.7 CM)
TEMPERATURE	-60°F TO +160°F (-51°C TO +71°C)
WIND VELOCITY	50 MPH (80 KPH) OPERATING



BOTTOM VIEW



P.O. BOX 603 GUELPH, ONTARIO, CANADA, N1H 6L3

TEL 519-824-3220 FAX 519-824-3411

INTERNET: www.valcom-guelph.com EMAIL: enquiries@valcom-guelph.com

Specifications are subject to change without notice.