

World's Leading Manufacturer Of Fibreglass Whip Antennas



SPECIALISTS FOR VERY HIGH FREQUENCY

Discone Antenna VDA-3231

THE VDA-3231 IS A COMPACT BROADBAND VHF/UHF DISCONE ANTENNA. ITS BROADBAND CAPABILITY MAKES IT PERFECTLY SUITED FOR SIGNAL RECEIVING AND MONITORING APPLICATIONS AS WELL AS FOR USE IN DIRECTION FINDING ARRAYS. THIS ANTENNA IS ALSO IDEAL FOR OMNIDIRECTIONAL TRANSMITTING APPLICATIONS REQUIRING HIGH POWER HANDLING.

THE VDA-3231 IS QUICKLY AND EASILY ASSEMBLED AND DISASSEMBLED. ALL ELEMENTS ARE SECURED VIA INTEGRAL QUARTER-TURN FASTENERS. THE LOWER ELEMENTS ARE RETAINED BY INDIVIDUAL CHAINS TO PREVENT LOSS.

FEATURES:

- BROADBAND
- HIGH POWER
- LIGHT-WEIGHT
- COMPACT
- EASY ASSEMBLY / DISASSEMBLY



QUICK REFERENCE DATA

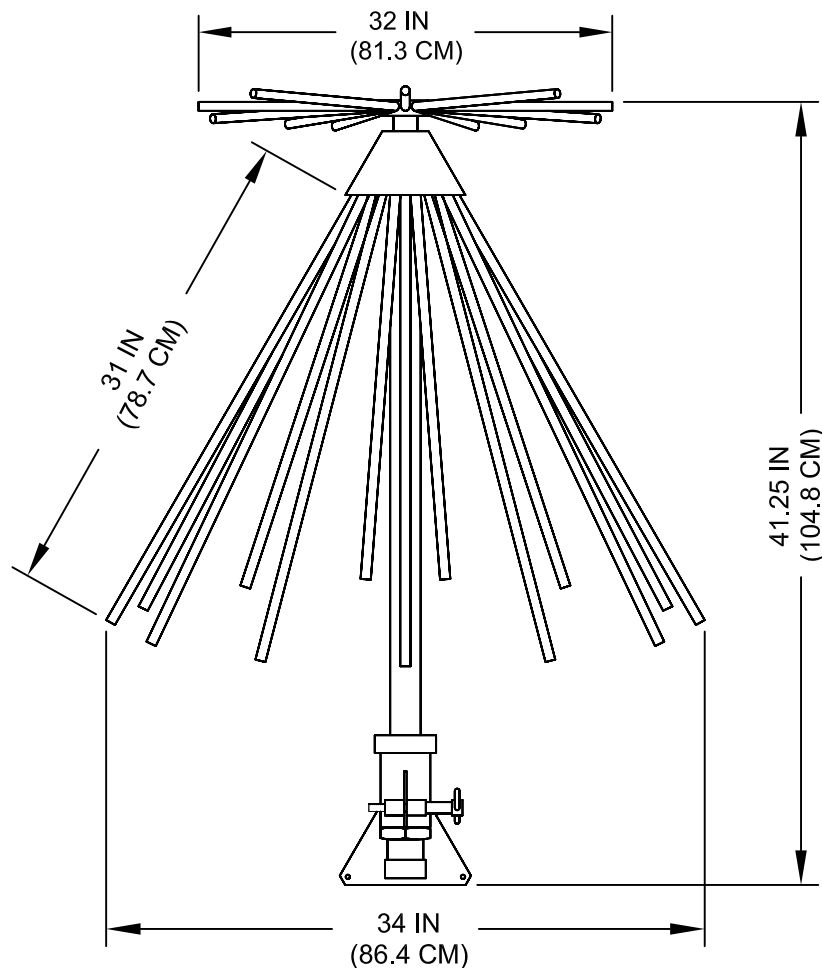
VDA-3231

ELECTRICAL CHARACTERISTICS

FREQUENCY	80 MHz TO 500 MHz
POLARIZATION	VERTICAL
RADIATION PATTERN	CIRCULAR WITHIN 0.5 db
ELEVATION 3 db BEAMWIDTH	40° NOMINAL
IMPEDANCE	50 OHMS
VSWR	≤2.5:1 @ 100 MHz TO 500 MHz
	≤3.5:1 @ 80 MHz TO 100 MHz
POWER HANDLING	1 KW

MECHANICAL CHARACTERISTICS

MECHANICAL LENGTH	41.25 IN (104.8 CM)
DIAMETER	34 IN (86.4 CM)
ANTENNA MATERIAL	ALUMINUM
OPERATING TEMPERATURE	-65°F TO 160°F (-54°C TO 71°C)
FINISH	EPOXY POLYAMIDE PAINT
WEIGHT	10 LBS (4.53 KG) MAX



P.O. BOX 603 GUELPH, ONTARIO, CANADA, N1H 6L3

TEL 519-824-3220 FAX 519-824-3411

INTERNET: www.valcom-guelph.com EMAIL: enquiries@valcom-guelph.com

Specifications are subject to change without notice.