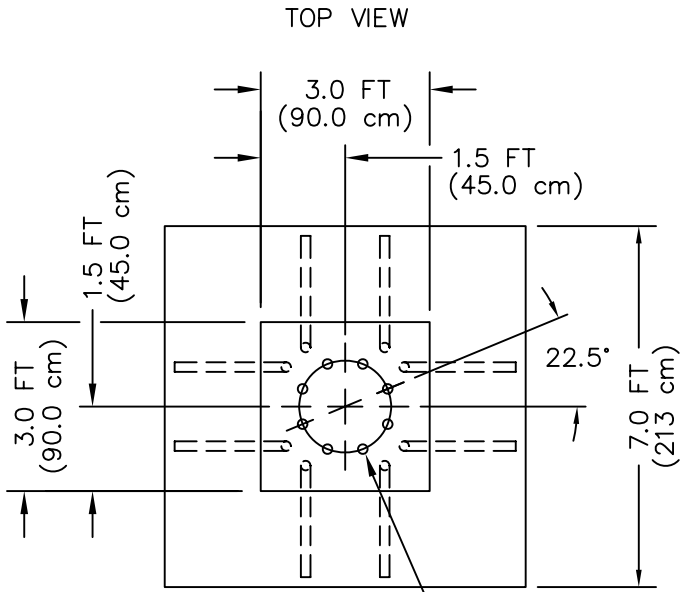


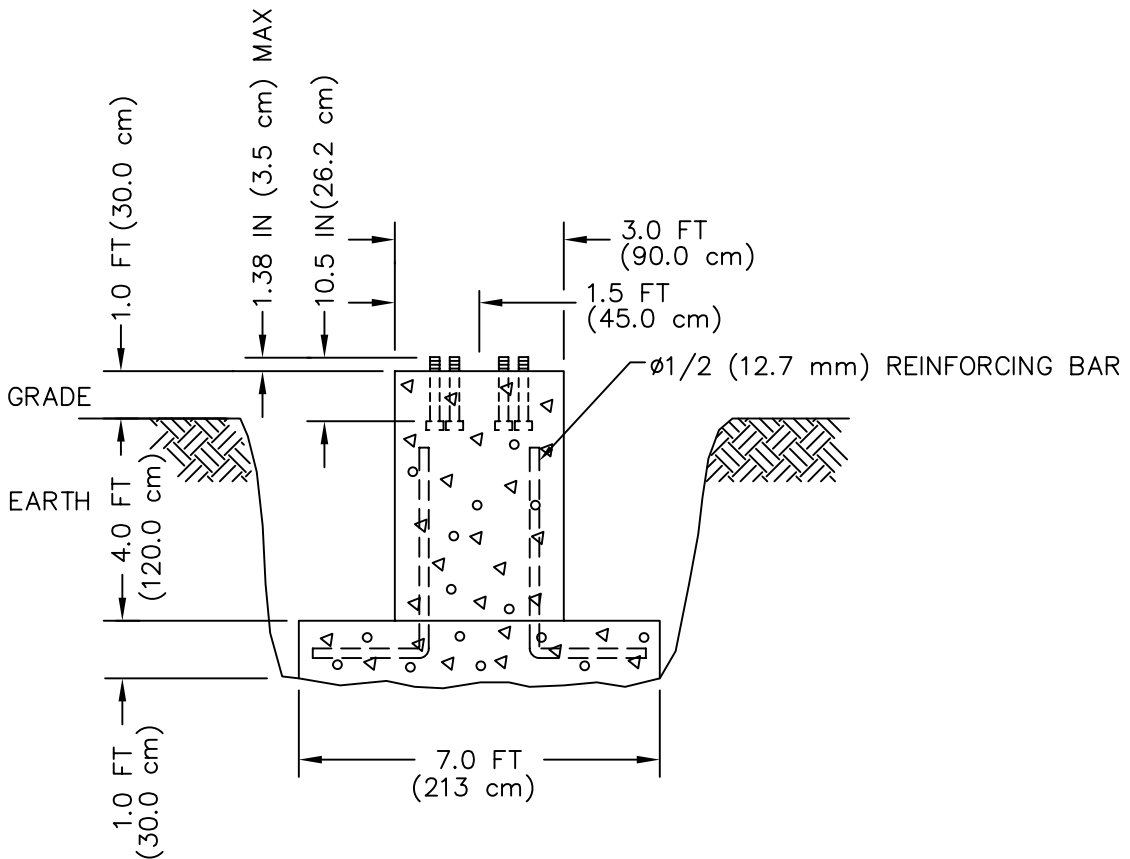
# FOUNDATION DETAILS FOR VHB-13 HINGE PLATE



.62 IN (1.6 cm) DIA BOLTS  
EQUASPACED ON A 10.750 IN  
(27.3 cm) DIAMETER BOLT CIRCLE

**NOTES:**

1. FOUNDATION BASE TO BE ON UNDISTURBED SOIL.
2. FOUNDATION EXCAVATION MUST BE FREE OF WATER BEFORE PLACEMENT OF CONCRETE.
3. DURING PLACEMENT OF CONCRETE, MAXIMUM FREE FALL DISTANCE SHALL NOT EXCEED FOUR FEET (120cm)
4. ALL CONCRETE PLACED DURING FREEZING TEMPERATURES SHALL BE PRE-HEATED AND PROPERLY PROTECTED DURING CURING. ALL HANDLING AND PLACEMENT TO BE IN ACCORDANCE WITH GOOD CONSTRUCTION PRACTICE.
5. MINIMUM 28 DAY COMPRESSIVE STRENGTH-3,000 PSI
6. AIR ENTRAINED CONCRETE-6% ± 1
7. SLUMP RANGE OF CONCRETE DURING PLACEMENT-1.5 TO 4.5 INCHES (3.7 TO 11.2cm)
8. BACKFILL MATERIAL SHALL BE FREE FROM DEBRIS OF ANY KIND INCLUDING ICE, SNOW OR FROZEN MATERIAL.
9. WHERE SOIL CONDITIONS WARRANT, SULPHUR RESISTANCE CONCRETE SHALL BE USED.
10. THE USE OF A TEMPLATE IS RECOMMENDED FOR THE OF POSTIONING EIGHT ANCHOR BOLTS PRIOR TO PLACEMENT OF CONCRETE.



ELEVATION VIEW