

World's Leading Manufacturer Of Fibreglass Whip Antennas



SPECIALISTS FOR VERY HIGH AND ULTRA HIGH FREQUENCIES

TRI-BAND ANTENNA V3B-100512

VALCOM PART NO: VD-07-00125-1

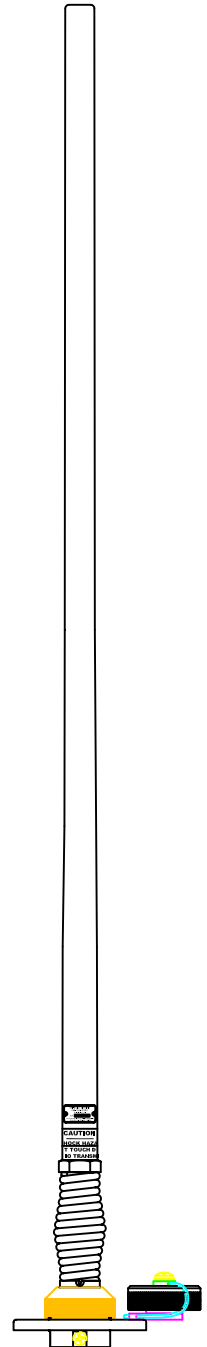
THE V3B-100512 IS A THREE-BAND VEHICULAR WHIP ANTENNA SYSTEM DESIGNED TO PROVIDE VHF AND UHF COMMUNICATIONS FOR A RANGE OF MILITARY APPLICATIONS. IT IS DESIGNED FOR USE WITH TODAY'S CUTTING EDGE, WIDE-BAND, FREQUENCY AGILE RADIOS AND CAN BE USED TO REPLACE A MULTIPLE ANTENNA SETUP.

THE V3B-100512 WHIP ANTENNA COMES IN A ONE-PIECE SYSTEM WITH INTEGRAL MATCHING NETWORKS, ALL HOUSED WITHIN A FIBREGLASS ENVELOPE. THE WHIP HAS AN INTEGRAL BASE SUPPORT SPRING WHICH THREADS INTO AN ALUMINUM MOUNTING FLANGE ATTACHED TO THE VEHICLE USING A STANDARD VEHICULAR MOUNT.

FEATURES:

- WIDE BANDWIDTH
- PERFORMS WITH OR WITHOUT A GROUND PLANE
- RUGGED AND RELIABLE DESIGN
- BASE MOUNT FOR REPLACEMENT FLEXIBILITY
- MULTIPLE INPUTS

* PATENT PENDING



QUICK REFERENCE DATA

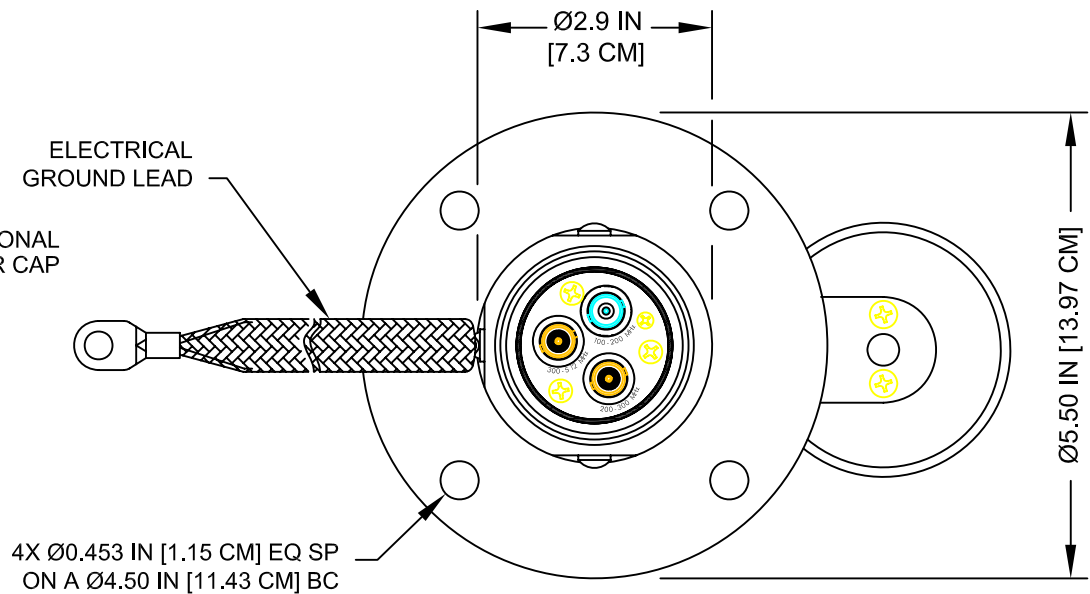
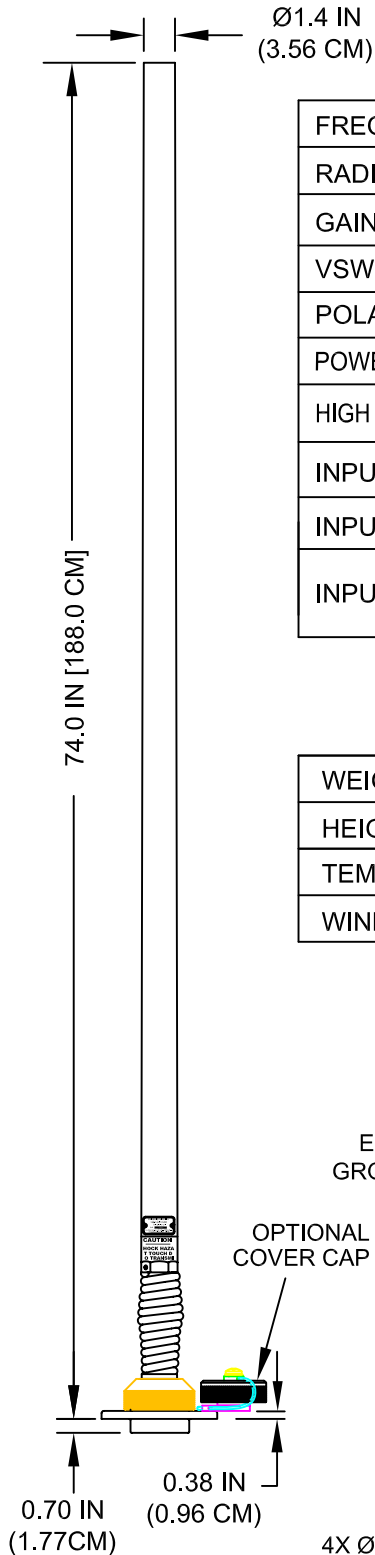
V3B-100512

ELECTRICAL

| | INPUT NO.1 | INPUT NO. 2 INPUT NO. 2 | INPUT NO.3 |
|-------------------------|---------------------------------------|----------------------------|--------------------|
| FREQUENCY RANGE | 100 - 200 MHz | 200 - 300 MHz | 300 - 512 MHz |
| RADIATION PATTERN | OMNIDIRECTIONAL | | |
| GAIN | -1.0 dBi TO +2.0 dBi | | |
| VSWR | 3.5:1 MAXIMUM | 3.0:1 MAXIMUM | 2.5:1 MAXIMUM |
| POLARIZATION | VERTICAL | | |
| POWER (CONTINUOUS, CW) | 100 WATTS | 200 WATTS | 200 WATTS |
| HIGH VOLTAGE PROTECTION | WHIP ELEMENT: 10 kVrms to MIL-STD-202 | | |
| INPUT ISOLATION | 15 dB MINIMUM | | |
| INPUT IMPEDANCE | 50 OHMS (NOM) | | |
| INPUT CONNECTOR | BNC NICKEL PLATED | BNC GOLD PLATED, BLK | BNC GOLD PLATED |

MECHANICAL

| | |
|---------------|----------------------------------|
| WEIGHT | 12.0 LBS (4.99 kg) |
| HEIGHT | 74 INCHES (188 CM) |
| TEMPERATURE | -60°F TO +160°F (-51°C TO +71°C) |
| WIND VELOCITY | 50 MPH (80 KPH) OPERATING |



BOTTOM VIEW

P.O. BOX 603 GUELPH, ONTARIO, CANADA, N1H 6L3
 TEL 519-824-3220 FAX 519-824-3411

INTERNET: www.valcom-guelph.com EMAIL: enquiries@valcom-guelph.com
 Specifications are subject to change without notice.

