


THESE DRAWINGS AND SPECS ARE THE PROPERTY OF VALCOM LIMITED
AND SHALL NOT BE REPRODUCED, OR USED AS THE BASIS FOR THE
MFG OR SALE OF APPARATUS WITHOUT PERMISSION OF VALCOM LTD.

CAD GENERATED DRAWING

APPLICATION/USAGE	LTR	REVISION	DATE	PREP	CKD	APP
VGS-120120AM AM ANTENNA	A	FIRST ISSUE	-	-	-	-
	B	IMPROVED GROUND SCREEN	JUNE 2, 2000			
	C	IMPROVED GROUND SCREEN FURTHER	AUG. 2, 2000			

REV	C	C	C	C															
SHT	1	2	3	4	5	6	7	8	9	10	11	12	13	14	15	16	17	18	19

DESIGN AGENT: VALCOM LIMITED					NSCM/CAOF 35736										VALCOM LIMITED GUELPH, ONTARIO, CANADA				
PREPARED: H. DUONG															TITLE/ TITRE AM ANTENNA GROUND SCREEN INSTALLATION				
CKD/VER:										DOCUMENT NO. VED-99-0001									
INSPECT/INSPECTE										A									
APPVL DATE D'APPROB 25 OCTOBER, 1999					SCALE/ECHELLE N/A					SHEET FEUILLE 1 OF DE 4									

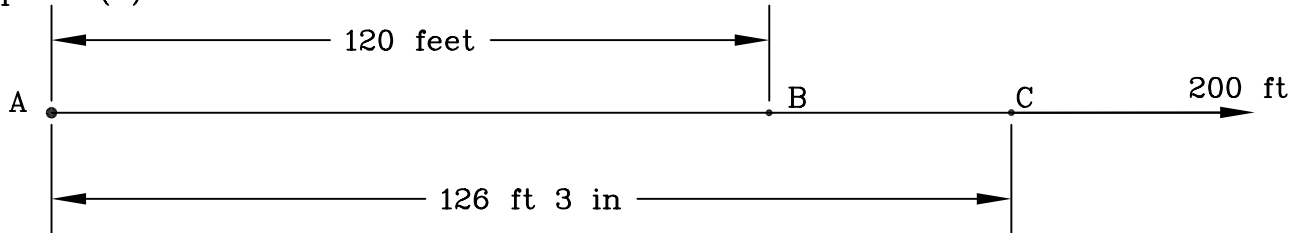
AM Broadcast Antenna Ground Screen Installation

Materials:

- Refer to VGS-120120AM (AM Ant. Ground Screen)
- 3 X 100 feet of #10 AWG copper wire.
- Two Different Colours of Spray Paint
- 200 feet of 1/2" Polypropylene Rope.

Pre Installation:

1. Mark three separate points on the rope with one of the colours of spray paint. Point (A) will be the point on the rope that will stay at the centre point where the antenna will be mounted, point (B) will be at 120 ft, and the third point (C) will be at 126 ft 3 in.
2. To make the measurements on the rope, place a stake firmly in the ground at the centre point, and tie the rope around the stake using a loose knot. This end of the rope will now become point (A). Measure 120 ft from the centre stake and this will become point (B). Measure 6 ft 3 in out from the 120 ft point (B) and this will become point (C).



On Site Installation:

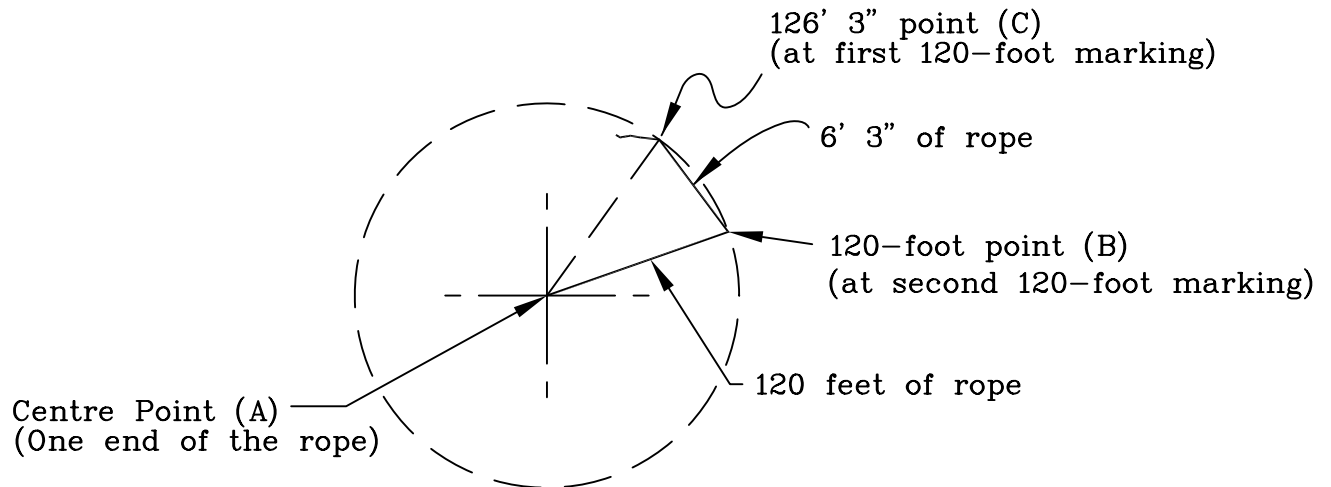
3. Find a suitable area to mark the centre point. This point should be at least 130 ft away from all obstacles. Once the centre point is found, mark this point on the ground with the opposite colour used to mark the points on the rope.
4. With the stake firmly placed in the ground and the rope still tied to it, stretch the rope out to point B (120 ft). Now make a new mark on the ground using the same colour that was used for making the centre mark on the ground
5. Have a person hold the rope at point C (126 ft 3 in) and get them to stand at the 120 ft mark that was just painted on the ground.
6. Get the person holding point (B) (120 ft) on the rope to walk away from the first 120 ft mark that was just painted on the ground. Keep walking until both sections of the rope become taut, (120 ft from the center point and 6 ft 3 in from first 120 ft ground marking). Make the new 120 ft mark on the ground using the same colour of paint that was used to paint the first 120 ft mark.
7. The person holding point (C) (126 ft 3 in) on the rope can walk over to the new 120 ft mark on the ground and stand there while the next point gets measured.
8. Repeat steps 5 through 7 until you reach the first point that was painted on the ground.

TITLE/ TITRE	AM ANTENNA GROUND SCREEN INSTALLATION	A	DOCUMENT NO VED-99-0001	
DESIGN AGENT:	VALCOM LIMITED	NSCM/CAOF 35736	SCALE/ECHELLE N/A	REV LTR C
			SHEET FEUILLE 2	OF DE 4

AM Broadcast Antenna Ground Screen Installation

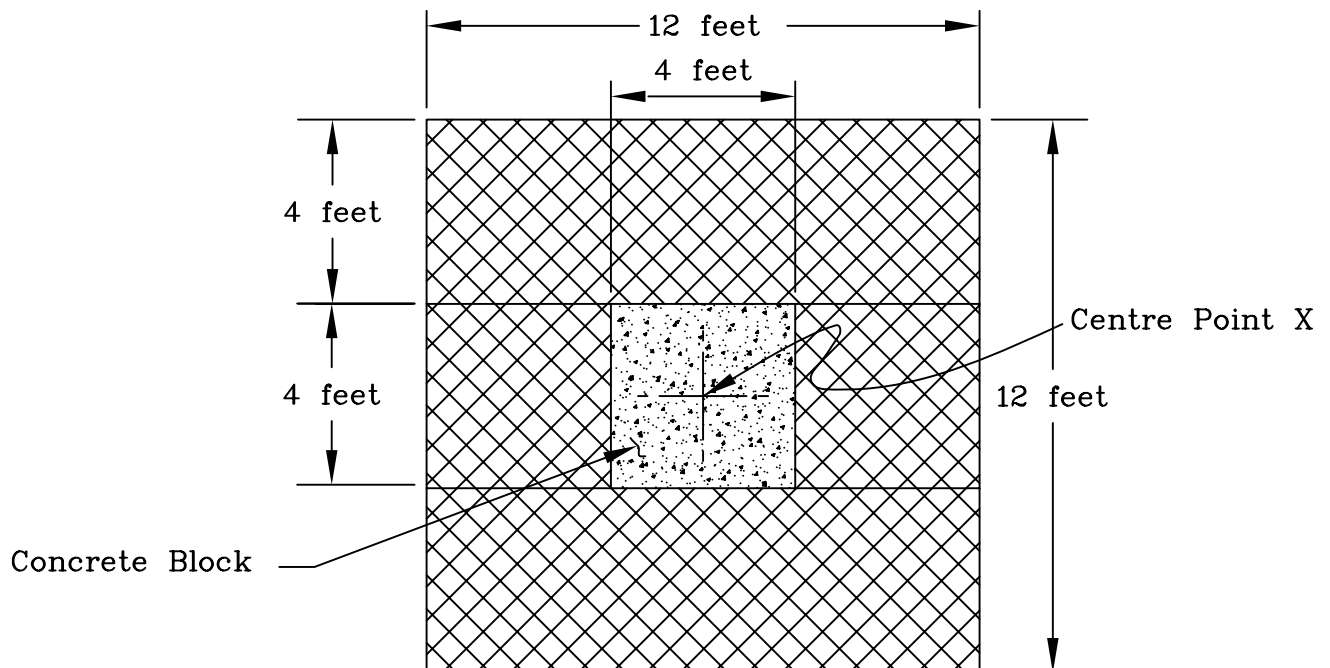
9. You will need to dig holes at each of the 120 ft points that have been painted on the ground. The holes should be 2 inches in diameter and 10 feet in depth. A contractor should be hired for this operation.

10. The centre point on the ground needs to be excavated and then the pouring of the concrete pad can be completed (see Foundation Details for VHB-17AM Hinge Plate/ VTGS-20 BH AM Steel Tower).



11. Now with all the points measured and marked, the three pieces of copper mesh must be tied together.

12. Tie the mesh together every one-inch with the extra copper wire and try not to over lap the copper mesh. Once the mesh is tied together soldering of the joints is recommended.

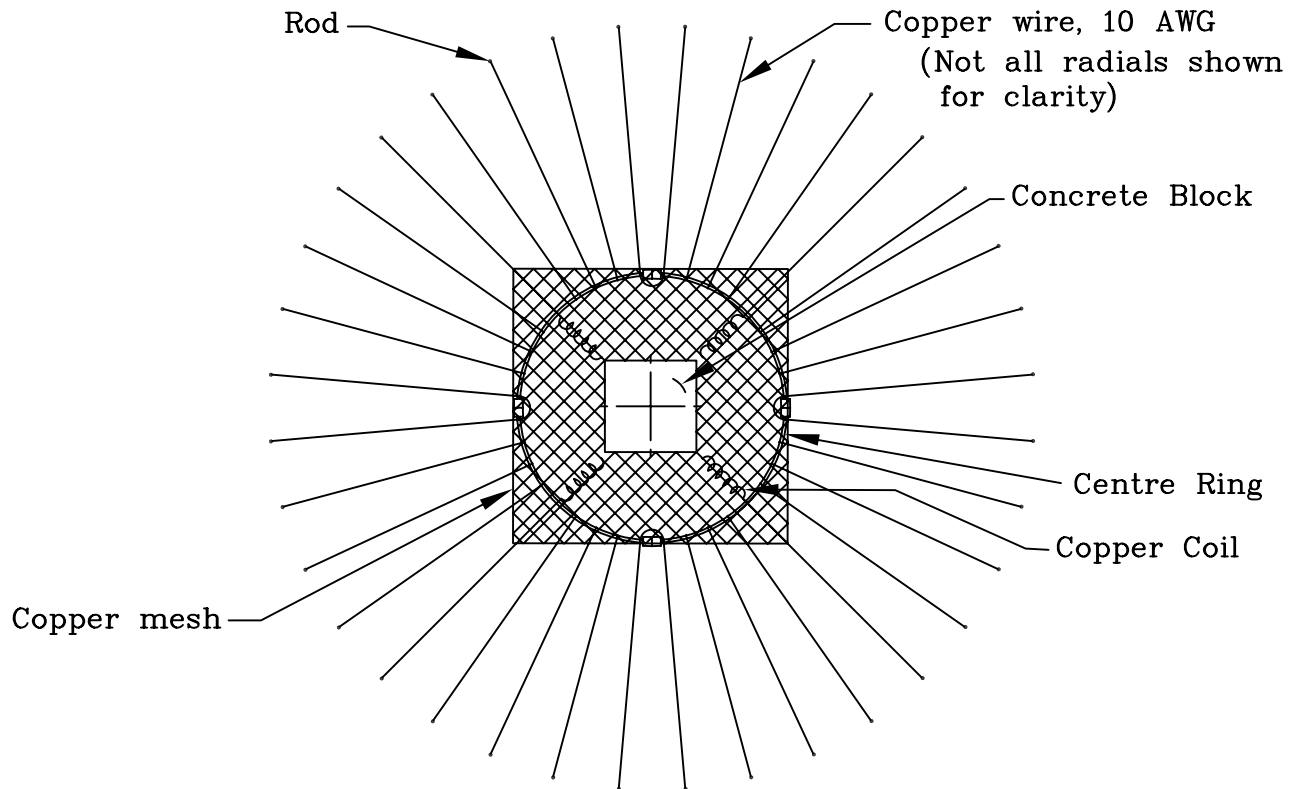


TITLE/ TITRE	AM ANTENNA GROUND SCREEN INSTALLATION	A	DOCUMENT NO VED-99-0001	
DESIGN AGENT:	VALCOM LIMITED	NSCM/CAOF 35736	SCALE/ECHELLE N/A	REV LTR C
			SHEET FEUILLE 3	OF DE 4

AM Broadcast Antenna Ground Screen Installation

13. When done soldering the copper mesh, centre the mesh over the centre point of the pad. A space for the concrete block must be cut out of the copper mesh. The average size of the area to cut out is 4 feet x 4 feet but other sizes are acceptable.

14. Clear 2 to 3 inches of the topsoil away in the area (12 feet x 12 feet) that the mesh screen is going to be placed. Place the mesh screen in the area that was just clear and then cover mesh screen with soil.



15. The centre ring which should be in four pieces needs to be assembled. The pieces with the coils should be centred over the centre ground pad. Now stretch each copper wire #10 onto each separate copper rod. There should be 120 copper wires attached to 120 copper rods. The part of the copper wire, which is on top of the copper mesh, should be tied and soldered to the copper mesh by using the extra copper wire.

16. Trenches must be dug for each of the 120 one-hundred-twenty foot lengths of copper wire. These trenches should be a minimum of 2 inches in depth and any desired width, as long as it is wider than the copper wire. Once again a contractor should be used for this duty.

17. After the trenches have been dug, take the ground rod connectors and attach the copper wire to the copper rods. Now drop the rod with the wire attached into the hole for the designated copper rod.

18. Now with everything laid out properly cover up any exposed ground screen with the excess dirt from digging the holes and trenches.

Note: This can also be accomplished by laying all wires on top of the surface of the ground and covering everything with 2 inches of fresh topsoil.

TITLE/ TITRE	AM ANTENNA GROUND SCREEN INSTALLATION	A	DOCUMENT NO VED-99-0001	
DESIGN AGENT:	VALCOM LIMITED	NSCM/CAOF 35736	SCALE/ECHELLE N/A	REV LTR C
			SHEET FEUILLE 4	OF DE 4