

World's Leading Manufacturer Of Fibreglass Whip Antennas



SPECIALISTS FOR VERY HIGH FREQUENCIES

VAS-1062-FB VHF Fixed Base Antenna

PN: VC-08-00090-1

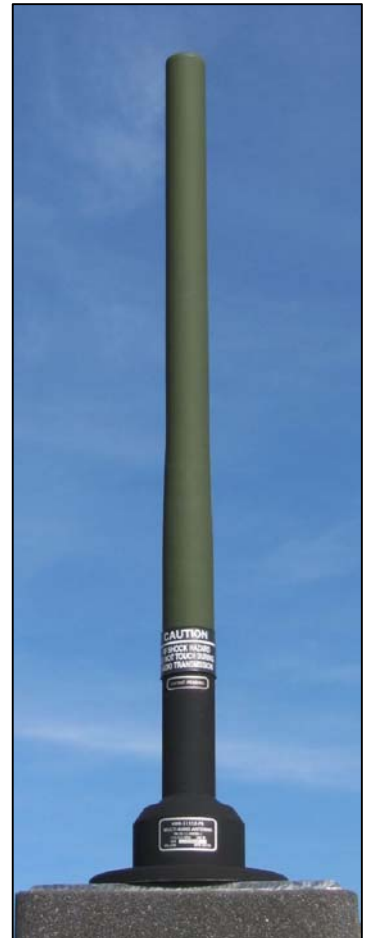
THE VAS-1062-FB IS A VHF DIPOLE ANTENNA DESIGNED TO BE USED IN A STATIONARY APPLICATION. IT IS IDEALLY SUITED FOR MOUNTING ON TOP OF BUILDINGS AND EXTENSION MASTS. IT IS DESIGNED FOR USE WITH TODAY'S CUTTING EDGE, FREQUENCY-AGILE RADIOS. THE VAS-1062-FB BOASTS A POWER HANDLING CAPABILITY OF 200 WATTS AND LESS THAN 2.0:1 VSWR ACROSS THE ENTIRE OPERATING BAND OF 108-163 MHz.

THE VAS-1062-FB ANTENNA IS CONSTRUCTED USING THE SAME REVOLUTIONARY TUNING TECHNOLOGY AS THE VAS-1062 VEHICULAR CONFIGURATION. THE ANTENNA IS A ONE PIECE PACKAGE THAT COMBINES A FIBERGLASS WHIP ONTO AN ALUMINUM MOUNTING BASE. THE WHIP AND BASE ARE PERMANENTLY JOINED TO FORM A LIGHT-WEIGHT YET EXTREMELY RUGGED AND RELIABLE ANTENNA SYSTEM.

FEATURES:

- PERFORMS WITH OR WITHOUT A GROUND PLANE
- LIGHT-WEIGHT YET EXTREMELY RUGGED
- RELIABLE DESIGN
- MINIMUM MAINTENANCE

* PATENT PENDING



QUICK REFERENCE DATA

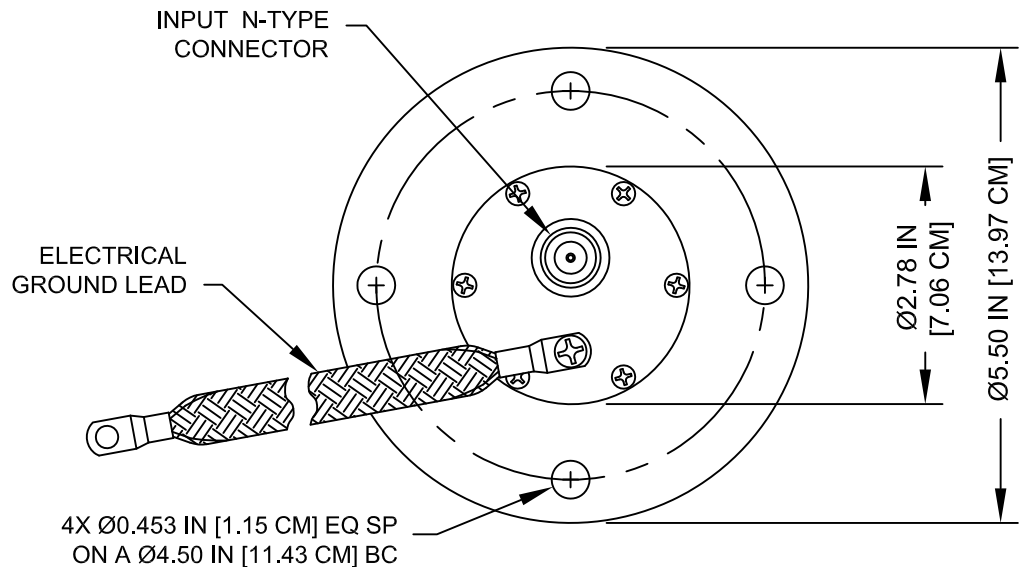
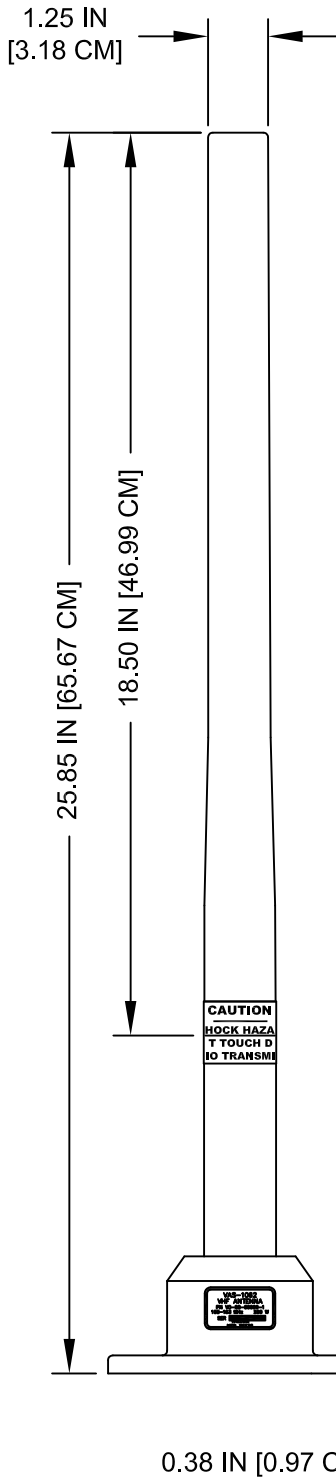
VAS-1062-FB

ELECTRICAL

FREQUENCY RANGE	108 - 163 MHz
RADIATION PATTERN	OMNIDIRECTIONAL
GAIN	-2dBi TO +2dBi
VSWR	2.0:1 MAXIMUM
POLARIZATION	VERTICAL
POWER HANDLING	200 WATTS CONTINUOUS
HIGH VOLTAGE PROTECTION	ELEMENT: 10 kVrms to MIL-STD-202
NOM INPUT IMPEDANCE	50 OHMS
INPUT CONNECTOR	N-TYPE (STD), BNC (OPTIONAL)

MECHANICAL

WEIGHT	3.9 LBS (1.77 KG)
OVERALL HEIGHT	25.85 INCHES (65.67 CM)
TEMPERATURE	-60°F TO +160°F (-51°C TO +71°C)
WIND VELOCITY	100 MPH (160 KPH) OPERATING



BOTTOM VIEW



P.O. BOX 603 GUELPH, ONTARIO, CANADA, N1H 6L3

TEL 519-824-3220 FAX 519-824-3411

INTERNET: www.valcom-guelph.com EMAIL: enquiries@valcom-guelph.com

Specifications are subject to change without notice.